

Series CERAM™, size 2



AVENTICS™ Series CERAM™, size 2



5/2-directional valve, Series CERAM™, size 2

- 5/2
- Qn = 2400 l/min
- Pilot valve width : 30 mm CNOMO
- Plate connection
- Electrical connection : Plug, EN 175301-803, form A
- Can be assembled into blocks
- Manual override : with detent, without detent
- single solenoid
- Pilot : Internal External



Activation	Electrically
Sealing principle	Ceramic
Blocking principle	Single base plate principle
Standards	ISO 5599-1, ISO 2
Working pressure min./max.	0 ... 10.3 bar
Control pressure min./max.	2 ... 10.3 bar
Ambient temperature min./max.	-15 ... 66 °C
Medium temperature min./max.	-15 ... 66 °C
Medium	Compressed air
Nominal flow Qn	2400 l/min
Compressed air connection	according to ISO 5599-1
Protection class according to NEMA	NEMA 4
mounting screws	M5 with hexagon socket
Mounting screw tightening torque	2.2 Nm
Weight	See table below

Technical data

Part No.		MO	Compressed air connection	Operational voltage
			Pilot Exhaust	DC
R432006128		TR-TR	Base plate ISO 5599-1	12 V
R432006130		TR-TR	Base plate ISO 5599-1	24 V
R432006136		TR-TR	Base plate ISO 5599-1	-
R432006124		TR-TR	Base plate ISO 5599-1	-
R432006126		TR-TR	Base plate ISO 5599-1	-
R432002444		TR-TR	Base plate ISO 5599-1	-
R432002447		TR-TR	Base plate ISO 5599-1	-

Part No.	Operational voltage	Operational voltage	Voltage tolerance
	AC 50 Hz	AC 60 Hz	DC
R432006128	-	-	-10% / +10%
R432006130	-	-	-10% / +10%
R432006136	24 V	24 V	-
R432006124	110 V	120 V	-
R432006126	220 V	240 V	-
R432002444	-	-	-

Part No.	Operational voltage	Operational voltage	Voltage tolerance
	AC 50 Hz	AC 60 Hz	DC
R432002447	-	-	-

Part No.	Voltage tolerance	Voltage tolerance	Power consumption	Holding power
	AC 50 Hz	AC 60 Hz	DC	AC 50 Hz
R432006128	-	-	2.7 W	-
R432006130	-	-	2.7 W	-
R432006136	-10% / +10%	-10% / +10%	-	6.4 VA
R432006124	-10% / +10%	-10% / +10%	-	6.4 VA
R432006126	-10% / +10%	-10% / +10%	-	6.4 VA
R432002444	-	-	-	-
R432002447	-	-	-	-

Part No.	Holding power	Switch-on power	Switch-on power	Pilot
	AC 60 Hz	AC 50 Hz	AC 60 Hz	
R432006128	-	-	-	Internal
R432006130	-	-	-	Internal
R432006136	6.4 VA	3.7 VA	3.7 VA	Internal
R432006124	6.4 VA	3.7 VA	3.7 VA	Internal
R432006126	6.4 VA	3.7 VA	6.7 VA	Internal
R432002444	-	-	-	External
R432002447	-	-	-	Internal

Part No.	Valve plug connector	basic valve with electrical connector	Weight
R432006128	Without valve plug connector	-	1.22 kg
R432006130	Without valve plug connector	-	1.22 kg
R432006136	Without valve plug connector	-	1.22 kg
R432006124	Without valve plug connector	-	1.22 kg
R432006126	Without valve plug connector	-	1.22 kg
R432002444	Without valve plug connector	Basic valve without coil	-
R432002447	Without valve plug connector	Basic valve without coil	1.05 kg

Nominal flow Q_n at 6 bar and $\Delta p = 1$ bar

MO = Manual override

Technical information

The min. control pressure must be adhered to, since otherwise faulty switching and valve failure may result!

The pressure dew point must be at least 15 °C under ambient and medium temperature and may not exceed 3 °C .

The oil content of compressed air must remain constant during the life cycle.

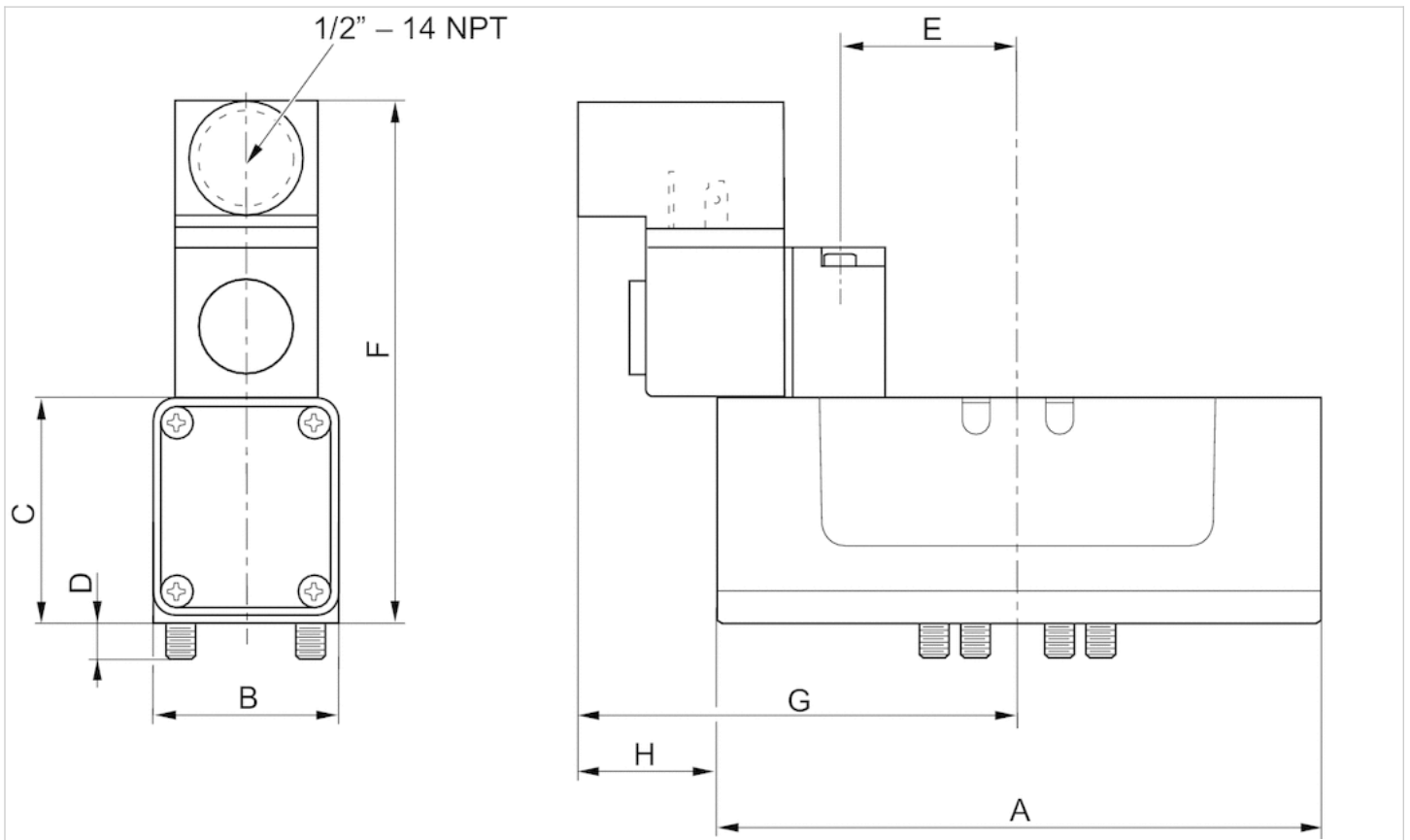
Use only the approved oils from AVENTICS. Further information can be found in the "Technical information" document (available in the MediaCentre).

Technical information

Material	
Housing	Die-cast aluminum, painted gray

Dimensions

Dimensions in inches



Dimensions in inches

Part No.	A	B	C	D	E	F	G	H
R432006128	5.82	2.03	2.30	0.39	1.57	4.90	3.54	0.92
R432006130	5.82	2.03	2.03	2.30	0.39	1.57	4.90	3.54
R432006136	5.82	2.03	2.30	0.39	1.57	4.90	3.54	0.92
R432006124	5.82	2.03	2.30	0.39	1.57	4.90	3.54	0.92
R432006126	5.82	2.03	2.30	0.39	1.57	4.90	3.54	0.92
-	-	-	-	-	-	-	-	-
R432002447	5.82	2.03	2.30	0.39	1.57	4.90	3.54	0.92

5/2-directional valve, Series CERAM™, size 2

- 5/2
- Qn = 2400 l/min
- Pilot valve width : 30 mm CNOMO
- Plate connection
- Electrical connection : Plug, EN 175301-803, form A
- Can be assembled into blocks
- Manual override : with detent, without detent without detent
- single solenoid
- With air spring return
- Pilot : Internal External



Activation	Electrically
Sealing principle	Ceramic
Blocking principle	Single base plate principle
Standards	ISO 5599-1, ISO 2
Working pressure min./max.	2 ... 10.3 bar
Control pressure min./max.	2 ... 10.3 bar
Ambient temperature min./max.	-15 ... 66 °C
Medium temperature min./max.	-15 ... 66 °C
Medium	Compressed air
Nominal flow Qn	2400 l/min
Compressed air connection	according to ISO 5599-1
Protection class according to NEMA	NEMA 4
mounting screws	M5 with hexagon socket
Mounting screw tightening torque	2.2 Nm
Weight	See table below

Technical data

Part No.	MO	Compressed air connection		Operational voltage
		Pilot Exhaust	DC	
R432006129	—	Base plate ISO 5599-1	12 V	
R432006131	—	Base plate ISO 5599-1	24 V	
R432006137	—	Base plate ISO 5599-1	-	
R432006125	—	Base plate ISO 5599-1	-	
R432006127	—	Base plate ISO 5599-1	-	
R432002445	TR-TR-	Base plate ISO 5599-1	-	
R432002448	TR-TR-	Base plate ISO 5599-1	-	

Part No.	Operational voltage		Voltage tolerance
	AC 50 Hz	AC 60 Hz	AC 50 Hz
R432006129	-	-	-
R432006131	-	-	-
R432006137	24 V	24 V	-10% / +10%
R432006125	110 V	120 V	-10% / +10%
R432006127	220 V	240 V	-10% / +10%

Part No.	Operational voltage	Operational voltage	Voltage tolerance
	AC 50 Hz	AC 60 Hz	AC 50 Hz
R432002445	-	-	-
R432002448	-	-	-

Part No.	Voltage tolerance	Power consumption	Holding power	Holding power
	AC 60 Hz	DC	AC 50 Hz	AC 60 Hz
R432006129	-	2.7 W	-	-
R432006131	-	2.7 W	-	-
R432006137	-10% / +10%	-	3.7 VA	3.7 VA
R432006125	-10% / +10%	-	6.4 VA	6.4 VA
R432006127	-10% / +10%	-	6.4 VA	6.4 VA
R432002445	-	-	-	-
R432002448	-	-	-	-

Part No.	Switch-on power	Switch-on power	Pilot	Valve plug connector
	AC 50 Hz	AC 60 Hz		
R432006129	-	-	Internal	Without valve plug connector
R432006131	-	-	Internal	Without valve plug connector
R432006137	6.4 VA	6.4 VA	Internal	Without valve plug connector
R432006125	3.7 VA	3.7 VA	Internal	Without valve plug connector
R432006127	3.7 VA	3.7 VA	Internal	Without valve plug connector
R432002445	-	-	External	Without valve plug connector
R432002448	-	-	Internal	Without valve plug connector

Part No.	basic valve with electrical connector	Weight
R432006129	-	1.68 kg
R432006131	-	1.68 kg
R432006137	-	1.68 kg
R432006125	-	1.14 kg
R432006127	-	1.68 kg
R432002445	Basic valve without coil	1.68 kg
R432002448	Basic valve without coil	1.68 kg

Nominal flow Q_n at 6 bar and $\Delta p = 1$ bar

MO = Manual override

Technical information

The min. control pressure must be adhered to, since otherwise faulty switching and valve failure may result!

The pressure dew point must be at least 15 °C under ambient and medium temperature and may not exceed 3 °C .

The oil content of compressed air must remain constant during the life cycle.

Use only the approved oils from AVENTICS. Further information can be found in the "Technical information" document (available in the MediaCentre).

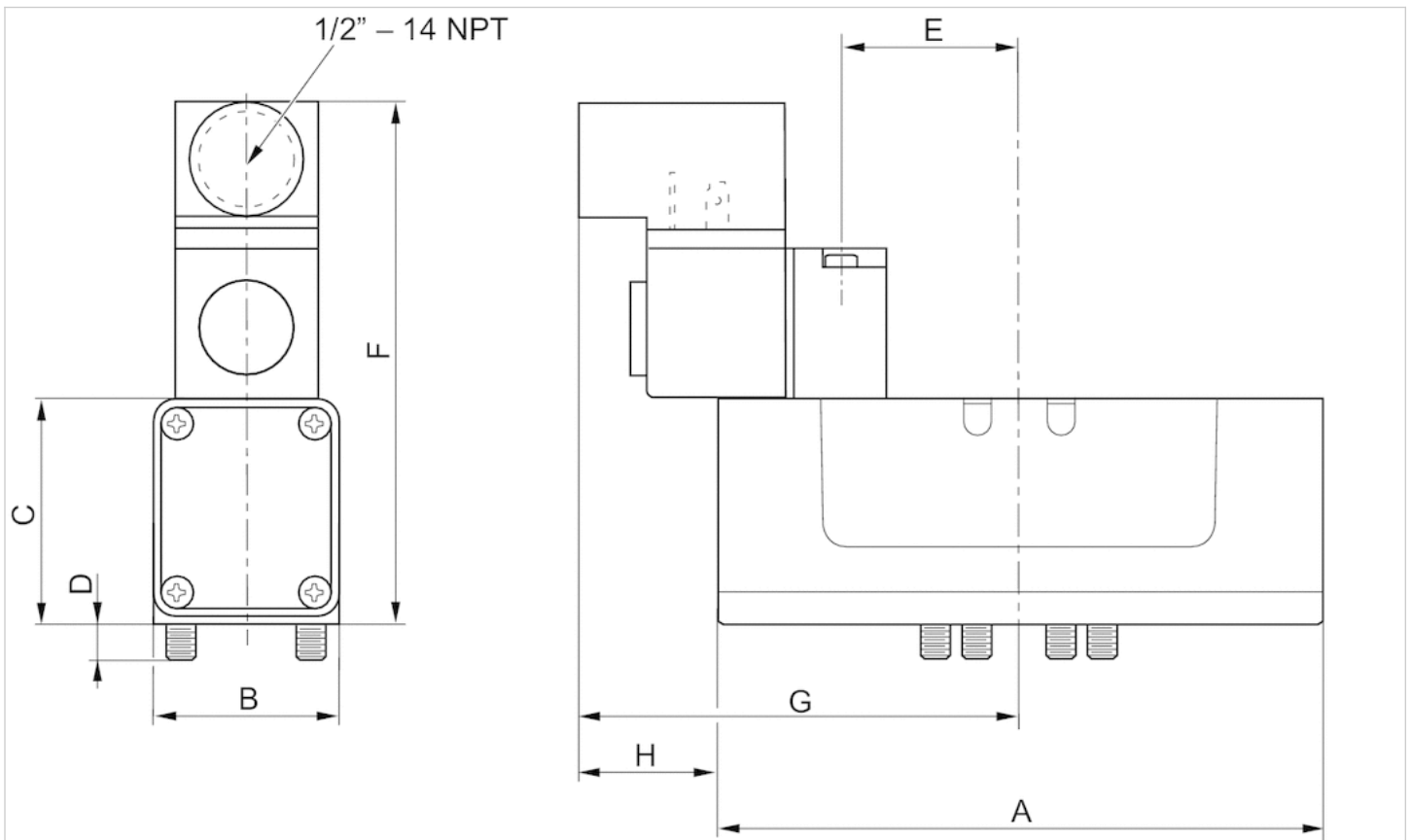
Technical information

Material

Housing	Die cast zinc, painted gray Die-cast aluminum, painted gray
Seals	Acrylonitrile butadiene rubber

Dimensions

Dimensions in inches



Dimensions in inches

Part No.	A	B	C	D	E	F	G	H
R432006129	5.82	2.03	2.30	0.39	1.57	4.90	3.54	0.92
R432006131	5.82	2.03	2.30	0.39	1.57	4.90	3.54	0.92
R432006137	5.82	2.03	2.30	0.39	1.57	4.90	3.54	0.92
R432006125	5.82	2.03	2.30	0.39	1.57	4.90	3.54	0.92
R432006127	5.82	2.03	2.30	0.39	1.57	4.90	3.54	0.92
-	-	-	-	-	-	-	-	-
R432002448	5.82	2.03	2.30	0.39	1.57	4.90	3.54	0.92

5/2-directional valve, Series CERAM™, size 2

- 5/2
- Qn = 2400 l/min
- Pilot valve width : 30 mm CNOMO
- Plate connection
- Electrical connection : Plug, EN 175301-803, form A
- Can be assembled into blocks
- Manual override : with detent, without detent
- double solenoid single solenoid
- Pilot : Internal External



Activation	Electrically
Sealing principle	Ceramic
Blocking principle	Single base plate principle
Standards	ISO 5599-1, ISO 2
Working pressure min./max.	0 ... 10.3 bar
Control pressure min./max.	2 ... 10.3 bar
Ambient temperature min./max.	-15 ... 66 °C
Medium temperature min./max.	-15 ... 66 °C
Medium	Compressed air
Nominal flow Qn	2400 l/min
Compressed air connection	according to ISO 5599-1
Protection class according to NEMA	NEMA 4
Typ. switch-on time	41 ms
Typ. switch-off time	44 ms
Mounting screw tightening torque	2.2 Nm
Weight	See table below

Part No.	Valve plug connector	basic valve with electrical connector
R432002446	Without valve plug connector	Basic valve without coil
R432002449	Without valve plug connector	Basic valve without coil

Part No.	Mounting screw	Weight
R432006158	M8 with hexagon socket	2.15 kg
R432030350	M8 with hexagon socket	2.15 kg
R432006162	M8 with hexagon socket	2.15 kg
R432006156	M8 with hexagon socket	2.15 kg
R432006157	M8 with hexagon socket	2.15 kg
R432002446	M5 with hexagon socket	1.12 kg
R432002449	M8 with hexagon socket	1.12 kg

Nominal flow Q_n at 6 bar and $\Delta p = 1$ bar

MO = Manual override

Technical information

The min. control pressure must be adhered to, since otherwise faulty switching and valve failure may result!

The pressure dew point must be at least 15 °C under ambient and medium temperature and may not exceed 3 °C .

The oil content of compressed air must remain constant during the life cycle.

Use only the approved oils from AVENTICS. Further information can be found in the "Technical information" document (available in the MediaCentre).

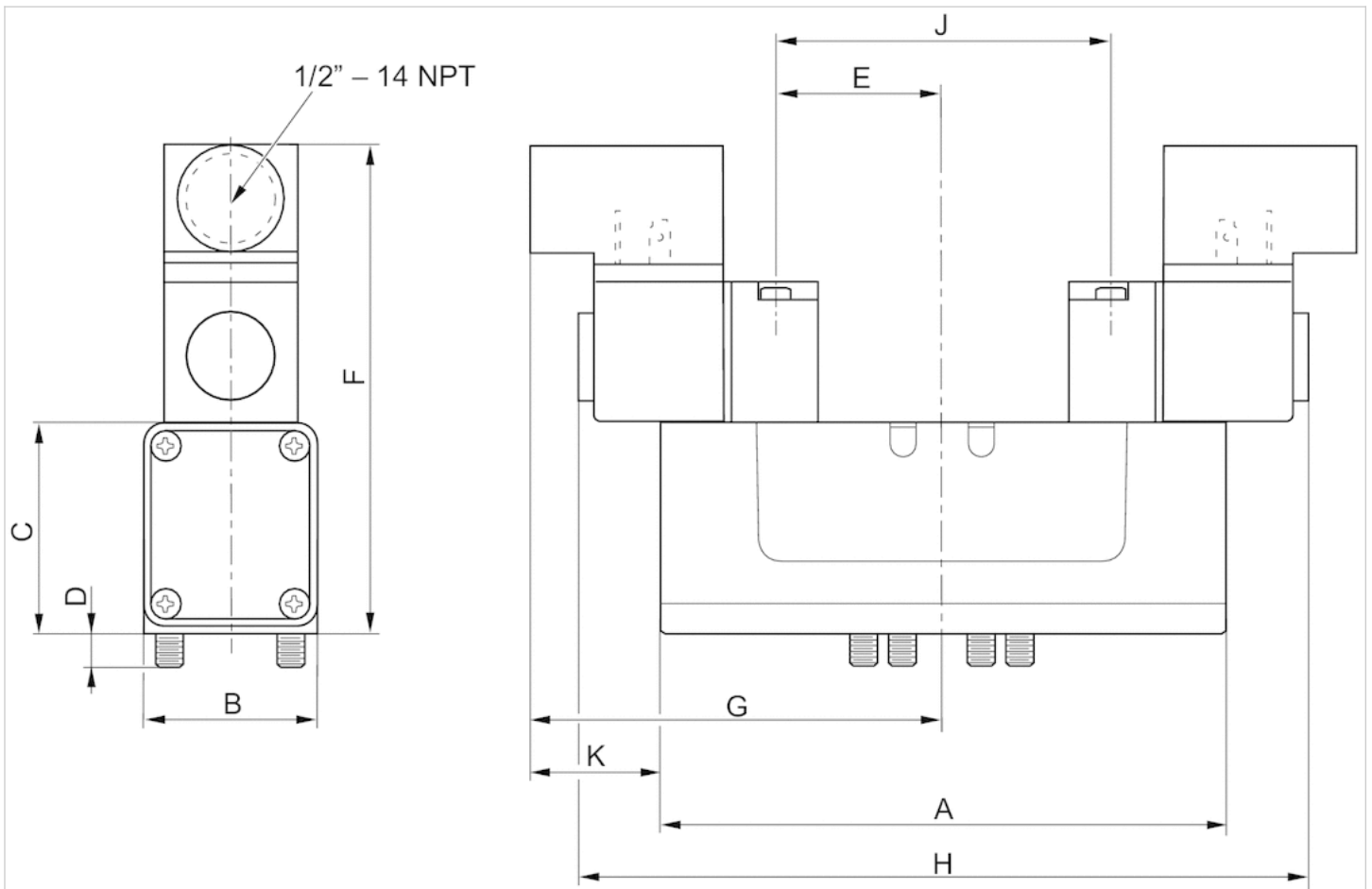
Technical information

Material

Housing	Die-cast aluminum, painted gray
---------	---------------------------------

Dimensions

Dimensions in inches



Dimensions in inches

Part No.	A	B	C	D	E	F	G	H	J	K
R432006158	5.82	2.03	2.3	0.39	1.57	4.9	3.54	7.09	3.15	0.92
R432030350	5.82	2.03	2.3	0.39	1.57	4.9	3.54	7.09	3.15	0.92
R432006162	5.82	2.03	2.3	0.39	1.57	4.9	3.54	7.09	3.15	0.92
R432006156	5.82	2.03	2.3	0.39	1.57	4.9	3.54	7.09	3.15	0.92
R432006157	5.82	2.03	2.3	0.39	1.57	4.9	3.54	7.09	3.15	0.92
-	-	-	-	-	-	-	-	-	-	-
R432002449	5.82	2.03	2.3	0.39	1.57	4.9	3.54	7.09	3.15	0.92

5/3-directional valve, Series CERAM™, size 2

- 5/3
- $Q_n = 2400$ l/min
- Pilot valve width : 30 mm CNOMO
- closed center
- Plate connection
- Electrical connection : Plug, EN 175301-803, form A
- Can be assembled into blocks
- Manual override : with detent, without detent
- double solenoid single solenoid
- Pilot : Internal External



Activation	Electrically
Sealing principle	Ceramic
Blocking principle	Single base plate principle
Standards	ISO 5599-1, ISO 2
Working pressure min./max.	0 ... 10.3 bar
Control pressure min./max.	See table below
Ambient temperature min./max.	-15 ... 66 °C
Medium temperature min./max.	-15 ... 66 °C
Medium	Compressed air
Nominal flow Q_n	2400 l/min
Compressed air connection	according to ISO 5599-1
Protection class according to NEMA	NEMA 4
Mounting screw tightening torque	2.2 Nm
Weight	See table below

Part No.	Control pressure min./max.	Valve plug connector
R432002443	2 ... 10.3 bar	Without valve plug connector

Part No.	basic valve with electrical connector	Mounting screw	Weight
R432006078	-	M6 with hexagon socket	2.15 kg
R432006079	-	M6 with hexagon socket	2.15 kg
R432006082	-	M6 with hexagon socket	-
R432006076	-	M6 with hexagon socket	2.15 kg
R432006077	-	M6 with hexagon socket	1.45 kg
R432002441	Basic valve without coil	M5 with hexagon socket	2.15 kg
R432002443	Basic valve without coil	M6 with hexagon socket	2.15 kg

Nominal flow Q_n at 6 bar and $\Delta p = 1$ bar

MO = Manual override

Technical information

The min. control pressure must be adhered to, since otherwise faulty switching and valve failure may result!

The pressure dew point must be at least 15 °C under ambient and medium temperature and may not exceed 3 °C .

The oil content of compressed air must remain constant during the life cycle.

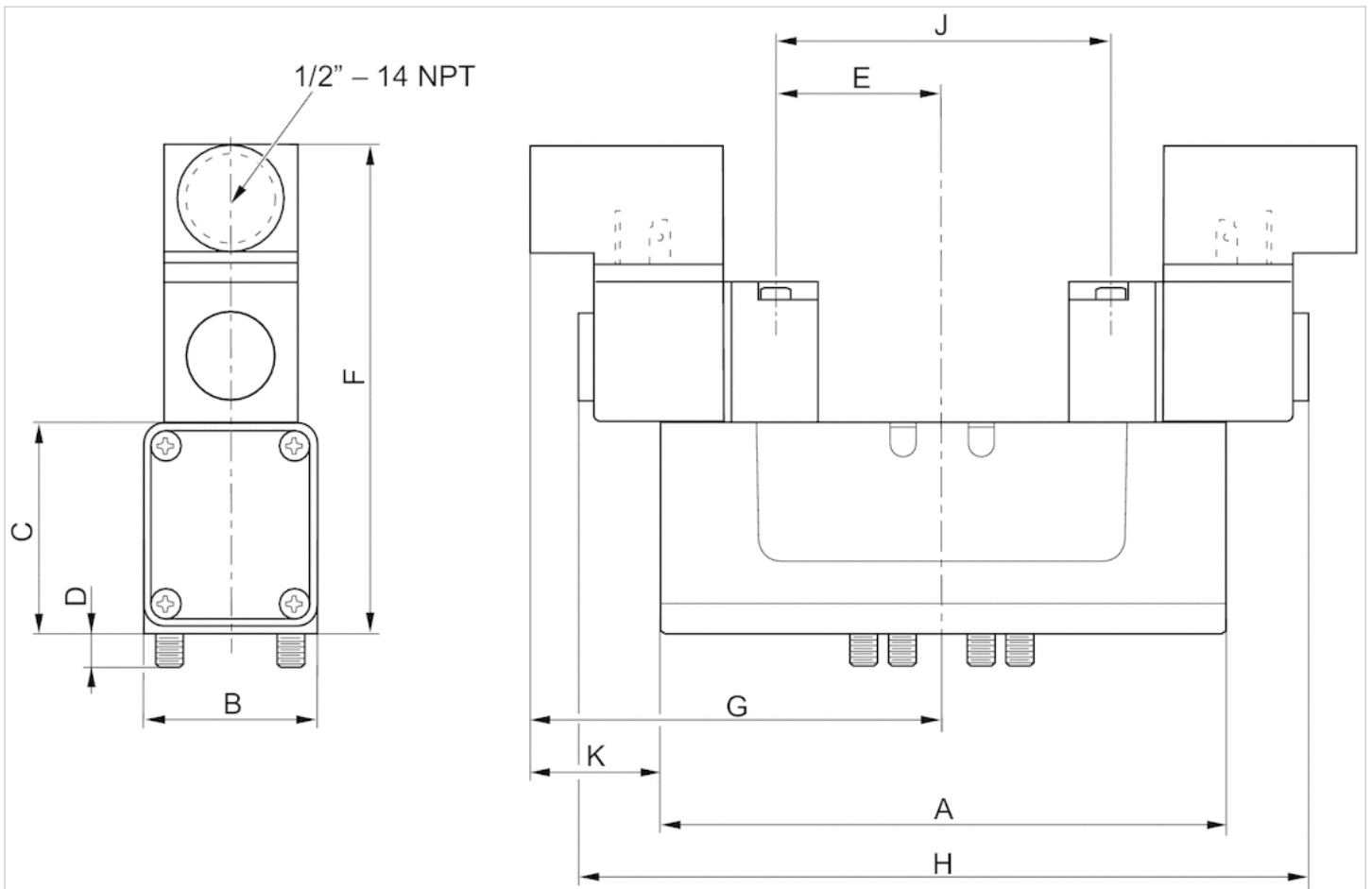
Use only the approved oils from AVENTICS. Further information can be found in the "Technical information" document (available in the MediaCentre).

Technical information

Material	
Housing	Die-cast aluminum, painted gray

Dimensions

Dimensions in inches



Dimensions in inches

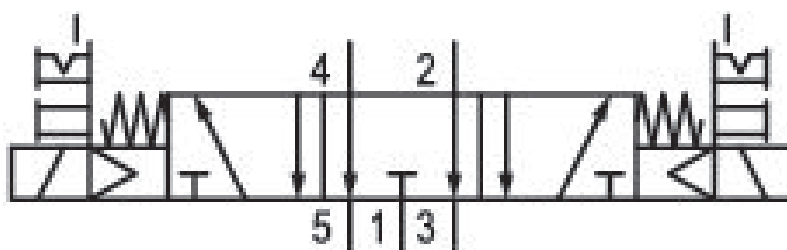
Part No.	A	B	C	D	E	F	G	H	J	K
R432006078	5.82	2.03	2.3	0.39	1.57	4.9	3.54	7.09	3.15	0.92
R432006079	5.82	2.03	2.3	0.39	1.57	4.9	3.54	7.09	3.15	0.92
R432006082	5.82	2.03	2.3	0.39	1.57	4.9	3.54	7.09	3.15	0.92
R432006076	5.82	2.03	2.3	0.39	1.57	4.9	3.54	7.09	3.15	0.92
R432006077	5.82	2.03	2.3	0.39	1.57	4.9	3.54	7.09	3.15	0.92
-	-	-	-	-	-	-	-	-	-	-
R432002443	5.82	2.03	2.3	0.39	1.57	4.9	3.54	7.09	3.15	0.92

5/3-directional valve, Series CERAM™, size 2

R432030023

Series CERAM™, size 2

■ Qn max. [[2400] l/min]



Technical data

Industry
Industrial

Activation
Electrically

Nominal flow Qn
2400 l/min

Switching principle
5/3

Version
Exhausted Center

Working pressure min.
0 bar

Working pressure max
10.3 bar

DC operating voltage
12 V

Voltage tolerance DC
-10% / +10%

Manual override
with detent
without detent

Electrical connection type
Plug

Electrical connection size
EN 175301-803, form A

Actuating control
Double Solenoid
Sealing principle
Ceramic

Pilot
Internal
Standards
ISO 5599-1

Pilot valve width
30 mm CNOMO
Frame size
ISO 2
Valve plug connector
Without valve plug connector

Connection type
Plate connection
Blocking principle
Single base plate principle
Can be assembled into blocks
Can be assembled into blocks

Control pressure min.
2 bar
Control pressure max.
10.3 bar
Min. ambient temperature
-15 °C
Max. ambient temperature
66 °C

Min. medium temperature
-15 °C
Max. medium temperature
66 °C
Medium
Compressed air

Standard compressed air connection
according to ISO 5599-1

Compressed air connection pilot exhaust
Base plate ISO 5599-1

Power consumption DC
2.7 W

Pilot valve width
30 mm CNOMO
Protection class according to NEMA
NEMA 4
mounting screws
M6 with hexagon socket

Mounting screw tightening torque
2.2 Nm
Weight
2.15 kg

Material

Housing material
Die-cast aluminum
Surface housing
painted gray

Part No.
R432030023

Technical information

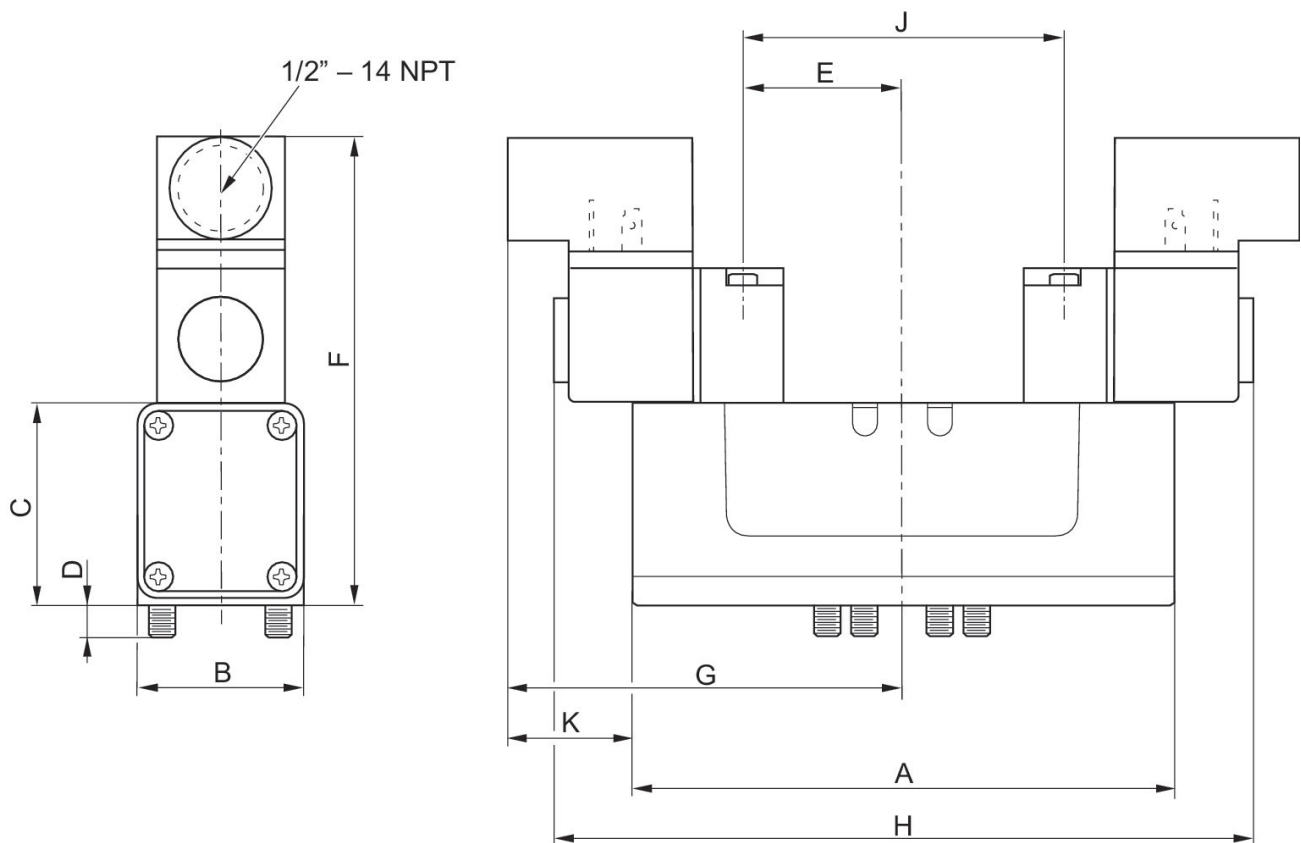
The min. control pressure must be adhered to, since otherwise faulty switching and valve failure may result!

The pressure dew point must be at least 15 °C under ambient and medium temperature and may not exceed 3 °C .

The oil content of compressed air must remain constant during the life cycle.

Use only the approved oils from AVENTICS. Further information can be found in the “Technical information” document (available in <https://www.emerson.com/en-us/support>).

Dimensions in inches



Dimensions in inches

Part No.	A	B	C	D	E	F	G	H	J
R432030023	5.82	2.03	2.3	0.39	1.57	4.9	3.54	7.09	3.15
R432006060	5.82	2.03	2.3	0.39	1.57	4.9	3.54	7.09	3.15
R432006063	5.82	2.03	2.3	0.39	1.57	4.9	3.54	7.09	3.15
R432006058	5.82	2.03	2.3	0.39	1.57	4.9	3.54	7.09	3.15

Part No.	A	B	C	D	E	F	G	H	J
R432006059	5.82	2.03	2.3	0.39	1.57	4.9	3.54	7.09	3.15
R432002440	5.82	2.03	2.3	0.39	0.39	4.9	3.54	7.09	3.15
R432002442	5.82	2.03	2.3	0.39	1.57	4.9	3.54	7.09	3.15

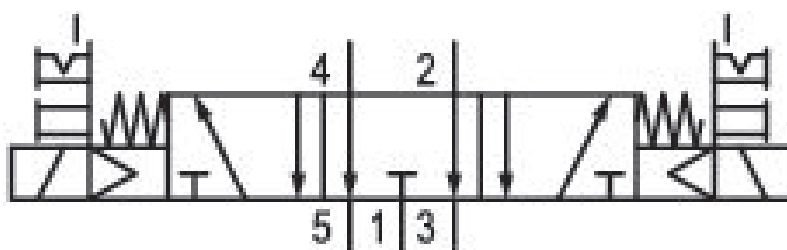
Part No.	K
R432030023	0.92
R432006060	0.92
R432006063	0.92
R432006058	0.92
R432006059	0.92
R432002440	0.92
R432002442	0.92

5/3-directional valve, Series CERAM™, size 2

R432006060

Series CERAM™, size 2

■ Qn max. [[2400] l/min]



Technical data

Industry
Industrial

Activation
Electrically

Nominal flow Qn
2400 l/min

Switching principle
5/3

Version
Exhausted Center

Working pressure min.
0 bar

Working pressure max
10.3 bar

DC operating voltage
24 V

Voltage tolerance DC
-10% / +10%

Manual override
with detent
without detent

Electrical connection type
Plug

Electrical connection size
EN 175301-803, form A

Actuating control
Double Solenoid
Sealing principle
Ceramic

Pilot
Internal
Standards
ISO 5599-1

Pilot valve width
30 mm CNOMO
Frame size
ISO 2
Valve plug connector
Without valve plug connector

Connection type
Plate connection
Blocking principle
Single base plate principle
Can be assembled into blocks
Can be assembled into blocks

Control pressure min.
2 bar
Control pressure max.
10.3 bar
Min. ambient temperature
-15 °C
Max. ambient temperature
66 °C

Min. medium temperature
-15 °C
Max. medium temperature
66 °C
Medium
Compressed air

Standard compressed air connection
according to ISO 5599-1

Compressed air connection pilot exhaust
Base plate ISO 5599-1

Power consumption DC
2.7 W

Pilot valve width
30 mm CNOMO
Protection class according to NEMA
NEMA 4
mounting screws
M6 with hexagon socket

Mounting screw tightening torque
2.2 Nm
Weight
2.15 kg

Material

Housing material
Die-cast aluminum
Surface housing
painted gray

Part No.
R432006060

Technical information

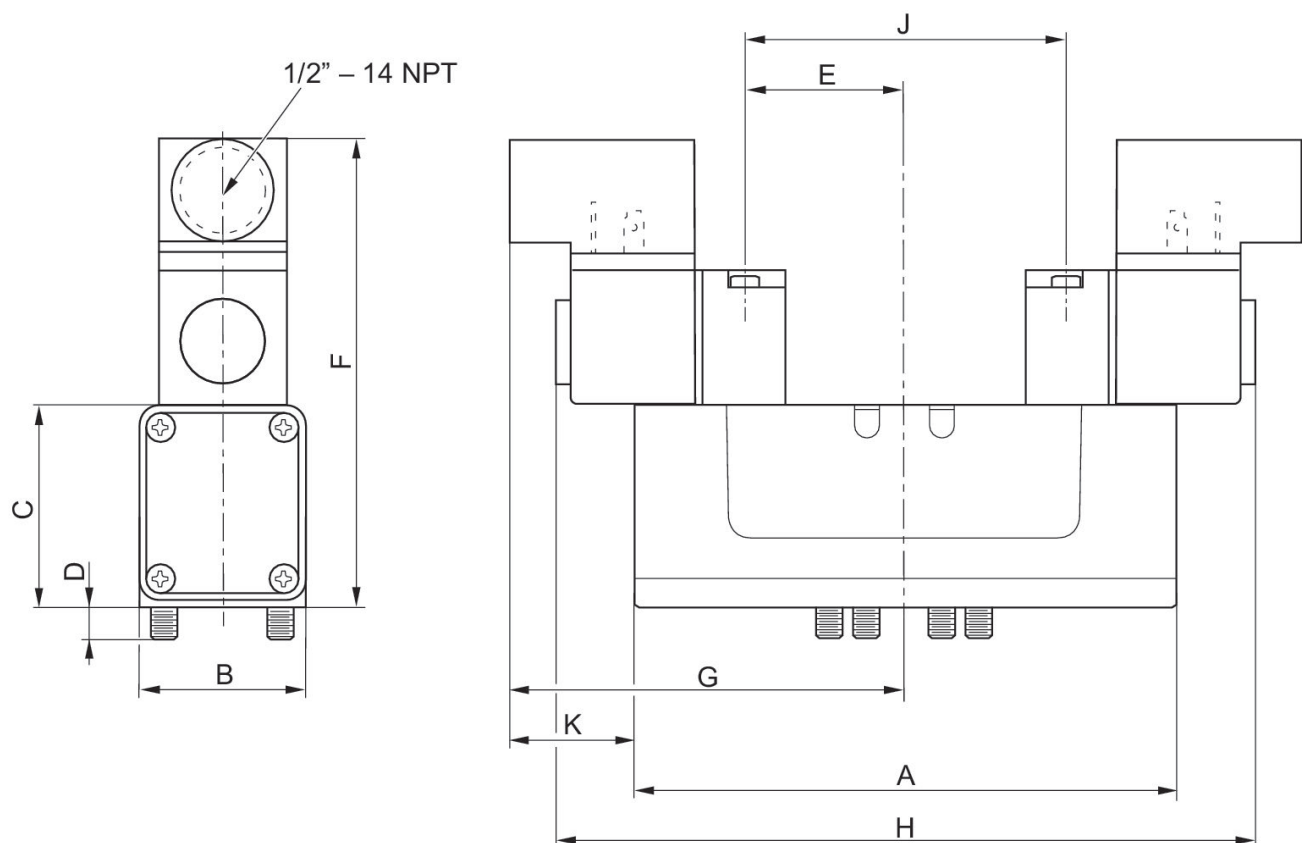
The min. control pressure must be adhered to, since otherwise faulty switching and valve failure may result!

The pressure dew point must be at least 15 °C under ambient and medium temperature and may not exceed 3 °C .

The oil content of compressed air must remain constant during the life cycle.

Use only the approved oils from AVENTICS. Further information can be found in the “Technical information” document (available in <https://www.emerson.com/en-us/support>).

Dimensions in inches



Dimensions in inches

Part No.	A	B	C	D	E	F	G	H	J
R432030023	5.82	2.03	2.3	0.39	1.57	4.9	3.54	7.09	3.15
R432006060	5.82	2.03	2.3	0.39	1.57	4.9	3.54	7.09	3.15
R432006063	5.82	2.03	2.3	0.39	1.57	4.9	3.54	7.09	3.15
R432006058	5.82	2.03	2.3	0.39	1.57	4.9	3.54	7.09	3.15

Part No.	A	B	C	D	E	F	G	H	J
R432006059	5.82	2.03	2.3	0.39	1.57	4.9	3.54	7.09	3.15
R432002440	5.82	2.03	2.3	0.39	0.39	4.9	3.54	7.09	3.15
R432002442	5.82	2.03	2.3	0.39	1.57	4.9	3.54	7.09	3.15

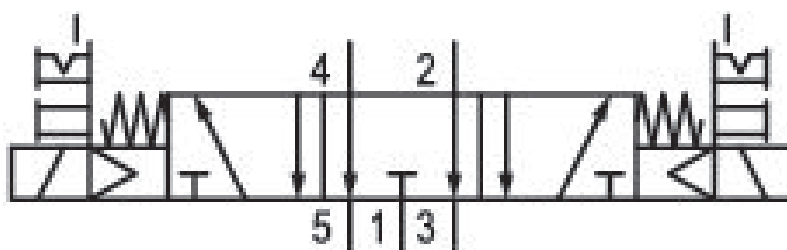
Part No.	K
R432030023	0.92
R432006060	0.92
R432006063	0.92
R432006058	0.92
R432006059	0.92
R432002440	0.92
R432002442	0.92

5/3-directional valve, Series CERAM™, size 2

R432006063

Series CERAM™, size 2

■ Qn max. [[2400] l/min]



Technical data

Industry
Industrial

Activation
Electrically

Nominal flow Qn
2400 l/min

Switching principle
5/3

Version
Exhausted Center

Working pressure min.
0 bar

Working pressure max
10.3 bar

Operational voltage AC at 50 Hz
24 V

Operational voltage AC at 60 Hz
24 V

Voltage tolerance AC 50 Hz
-10% / +10%

Voltage tolerance AC 60 Hz
-10% / +10%

Manual override
with detent
without detent

Electrical connection type
Plug

Electrical connection size
EN 175301-803, form A

Actuating control
Double Solenoid

Pilot valve width
30 mm CNOMO

Frame size
ISO 2

Valve plug connector
Without valve plug connector

Control pressure min.
2 bar

Control pressure max.
10.3 bar

Min. ambient temperature
-15 °C

Max. ambient temperature
66 °C

Standard compressed air connection
according to ISO 5599-1

Holding power AC 50 Hz
3.7 VA

Holding power AC 60 Hz
3.7 VA

Pilot valve width
30 mm CNOMO

Protection class according to NEMA
NEMA 4

mounting screws
M6 with hexagon socket

Material

Housing material
Die-cast aluminum

Surface housing
painted gray

Sealing principle
Ceramic

Pilot
Internal

Standards
ISO 5599-1

Connection type
Plate connection

Blocking principle
Single base plate principle

Can be assembled into blocks
Can be assembled into blocks

Min. medium temperature
-15 °C

Max. medium temperature
66 °C

Medium
Compressed air

Compressed air connection pilot exhaust
Base plate ISO 5599-1

Switch-on power AC 50 Hz
6.4 VA

Switch-on power AC 60 Hz
6.4 VA

Mounting screw tightening torque
2.2 Nm

Weight
2.15 kg

Part No.
R432006063

Technical information

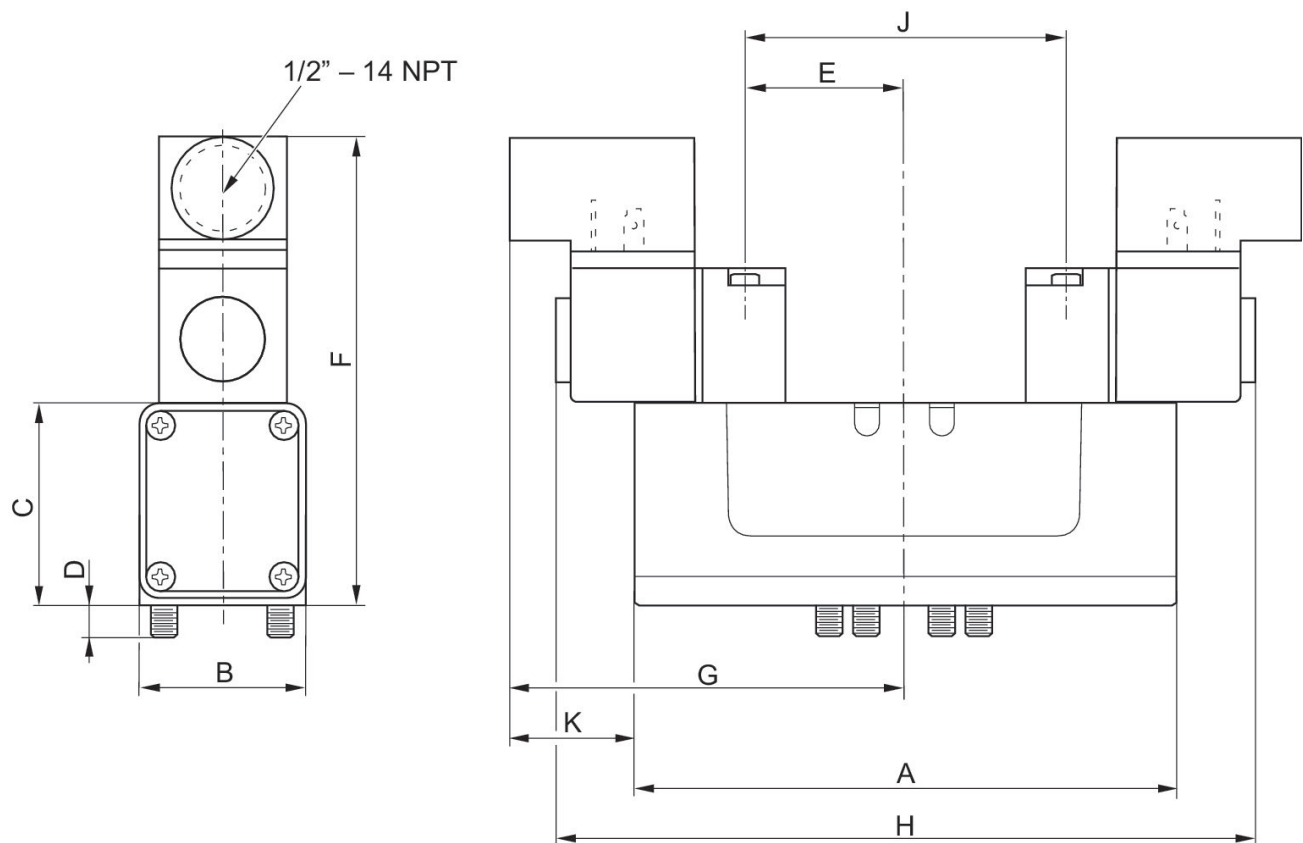
The min. control pressure must be adhered to, since otherwise faulty switching and valve failure may result!

The pressure dew point must be at least 15 °C under ambient and medium temperature and may not exceed 3 °C .

The oil content of compressed air must remain constant during the life cycle.

Use only the approved oils from AVENTICS. Further information can be found in the “Technical information” document (available in <https://www.emerson.com/en-us/support>).

Dimensions in inches



Dimensions in inches

Part No.	A	B	C	D	E	F	G	H	J
R432030023	5.82	2.03	2.3	0.39	1.57	4.9	3.54	7.09	3.15
R432006060	5.82	2.03	2.3	0.39	1.57	4.9	3.54	7.09	3.15
R432006063	5.82	2.03	2.3	0.39	1.57	4.9	3.54	7.09	3.15
R432006058	5.82	2.03	2.3	0.39	1.57	4.9	3.54	7.09	3.15

Part No.	A	B	C	D	E	F	G	H	J
R432006059	5.82	2.03	2.3	0.39	1.57	4.9	3.54	7.09	3.15
R432002440	5.82	2.03	2.3	0.39	0.39	4.9	3.54	7.09	3.15
R432002442	5.82	2.03	2.3	0.39	1.57	4.9	3.54	7.09	3.15

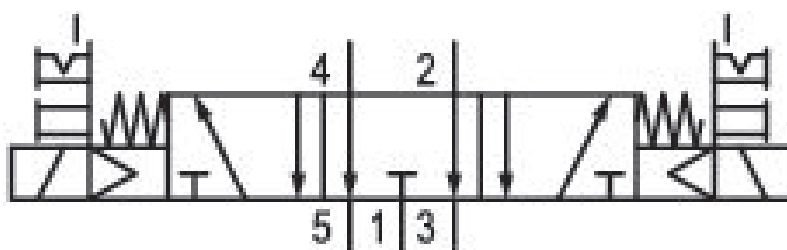
Part No.	K
R432030023	0.92
R432006060	0.92
R432006063	0.92
R432006058	0.92
R432006059	0.92
R432002440	0.92
R432002442	0.92

5/3-directional valve, Series CERAM™, size 2

R432006058

Series CERAM™, size 2

■ Qn max. [[2400] l/min]



Technical data

Industry
Industrial

Activation
Electrically

Nominal flow Qn
2400 l/min

Switching principle
5/3

Version
Exhausted Center

Working pressure min.
0 bar

Working pressure max
10.3 bar

Operational voltage AC at 50 Hz
110 V

Operational voltage AC at 60 Hz
120 V

Voltage tolerance AC 50 Hz
-10% / +10%

Voltage tolerance AC 60 Hz
-10% / +10%

Manual override
with detent
without detent

Electrical connection type
Plug

Electrical connection size
EN 175301-803, form A

Actuating control
Double Solenoid

Pilot valve width
30 mm CNOMO

Frame size
ISO 2

Valve plug connector
Without valve plug connector

Control pressure min.
2 bar

Control pressure max.
10.3 bar

Min. ambient temperature
-15 °C

Max. ambient temperature
66 °C

Standard compressed air connection
according to ISO 5599-1

Holding power AC 50 Hz
3.7 VA

Holding power AC 60 Hz
3.7 VA

Pilot valve width
30 mm CNOMO

Protection class according to NEMA
NEMA 4

mounting screws
M6 with hexagon socket

Material

Housing material
Die-cast aluminum

Surface housing
painted gray

Sealing principle
Ceramic

Pilot
Internal

Standards
ISO 5599-1

Connection type
Plate connection

Blocking principle
Single base plate principle

Can be assembled into blocks
Can be assembled into blocks

Min. medium temperature
-15 °C

Max. medium temperature
66 °C

Medium
Compressed air

Compressed air connection pilot exhaust
Base plate ISO 5599-1

Switch-on power AC 50 Hz
6.4 VA

Switch-on power AC 60 Hz
6.4 VA

Mounting screw tightening torque
2.2 Nm

Weight
2.15 kg

Part No.
R432006058

Technical information

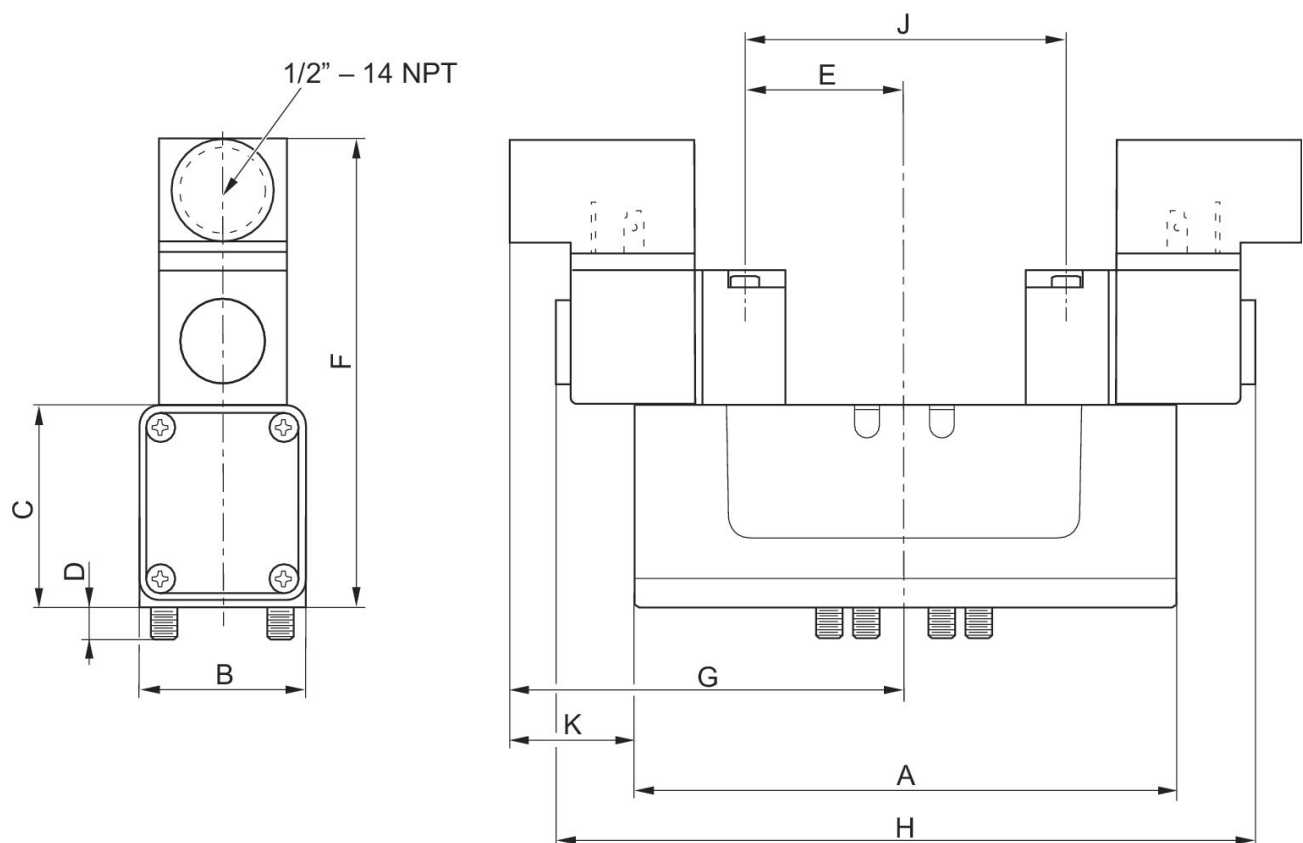
The min. control pressure must be adhered to, since otherwise faulty switching and valve failure may result!

The pressure dew point must be at least 15 °C under ambient and medium temperature and may not exceed 3 °C .

The oil content of compressed air must remain constant during the life cycle.

Use only the approved oils from AVENTICS. Further information can be found in the “Technical information” document (available in <https://www.emerson.com/en-us/support>).

Dimensions in inches



Dimensions in inches

Part No.	A	B	C	D	E	F	G	H	J
R432030023	5.82	2.03	2.3	0.39	1.57	4.9	3.54	7.09	3.15
R432006060	5.82	2.03	2.3	0.39	1.57	4.9	3.54	7.09	3.15
R432006063	5.82	2.03	2.3	0.39	1.57	4.9	3.54	7.09	3.15
R432006058	5.82	2.03	2.3	0.39	1.57	4.9	3.54	7.09	3.15

Part No.	A	B	C	D	E	F	G	H	J
R432006059	5.82	2.03	2.3	0.39	1.57	4.9	3.54	7.09	3.15
R432002440	5.82	2.03	2.3	0.39	0.39	4.9	3.54	7.09	3.15
R432002442	5.82	2.03	2.3	0.39	1.57	4.9	3.54	7.09	3.15

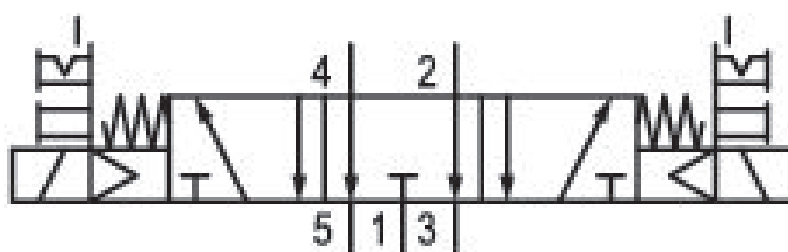
Part No.	K
R432030023	0.92
R432006060	0.92
R432006063	0.92
R432006058	0.92
R432006059	0.92
R432002440	0.92
R432002442	0.92

5/3-directional valve, Series CERAM™, size 2

R432006059

Series CERAM™, size 2

■ Qn max. [[2400] l/min]



Technical data

Industry
Industrial

Activation
Electrically

Nominal flow Qn
2400 l/min

Switching principle
5/3

Version
Exhausted Center

Working pressure min.
0 bar

Working pressure max
10.3 bar

Operational voltage AC at 50 Hz
220 V

Operational voltage AC at 60 Hz
240 V

Voltage tolerance AC 50 Hz
-10% / +10%

Voltage tolerance AC 60 Hz
-10% / +10%

Manual override
with detent
without detent

Electrical connection type
Plug

Electrical connection size
EN 175301-803, form A

Actuating control
Double Solenoid

Pilot valve width
30 mm CNOMO

Frame size
ISO 2

Valve plug connector
Without valve plug connector

Control pressure min.
2 bar

Control pressure max.
10.3 bar

Min. ambient temperature
-15 °C

Max. ambient temperature
66 °C

Standard compressed air connection
according to ISO 5599-1

Holding power AC 50 Hz
3.7 VA

Holding power AC 60 Hz
3.7 VA

Pilot valve width
30 mm CNOMO

Protection class according to NEMA
NEMA 4

mounting screws
M6 with hexagon socket

Material

Housing material
Die-cast aluminum

Surface housing
painted gray

Sealing principle
Ceramic

Pilot
Internal

Standards
ISO 5599-1

Connection type
Plate connection

Blocking principle
Single base plate principle

Can be assembled into blocks
Can be assembled into blocks

Min. medium temperature
-15 °C

Max. medium temperature
66 °C

Medium
Compressed air

Compressed air connection pilot exhaust
Base plate ISO 5599-1

Switch-on power AC 50 Hz
6.4 VA

Switch-on power AC 60 Hz
6.4 VA

Mounting screw tightening torque
2.2 Nm

Weight
2.15 kg

Part No.
R432006059

Technical information

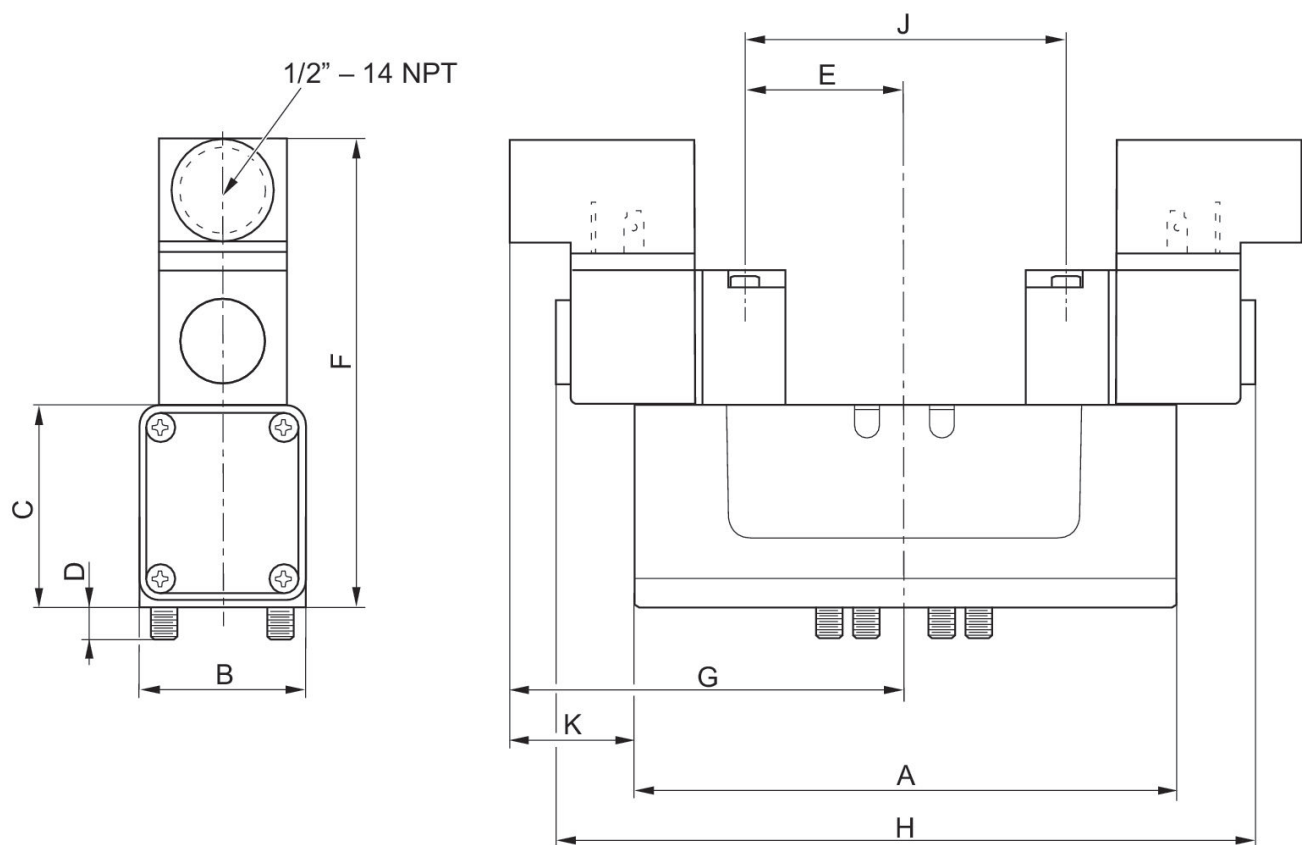
The min. control pressure must be adhered to, since otherwise faulty switching and valve failure may result!

The pressure dew point must be at least 15 °C under ambient and medium temperature and may not exceed 3 °C .

The oil content of compressed air must remain constant during the life cycle.

Use only the approved oils from AVENTICS. Further information can be found in the “Technical information” document (available in <https://www.emerson.com/en-us/support>).

Dimensions in inches



Dimensions in inches

Part No.	A	B	C	D	E	F	G	H	J
R432030023	5.82	2.03	2.3	0.39	1.57	4.9	3.54	7.09	3.15
R432006060	5.82	2.03	2.3	0.39	1.57	4.9	3.54	7.09	3.15
R432006063	5.82	2.03	2.3	0.39	1.57	4.9	3.54	7.09	3.15
R432006058	5.82	2.03	2.3	0.39	1.57	4.9	3.54	7.09	3.15

Part No.	A	B	C	D	E	F	G	H	J
R432006059	5.82	2.03	2.3	0.39	1.57	4.9	3.54	7.09	3.15
R432002440	5.82	2.03	2.3	0.39	0.39	4.9	3.54	7.09	3.15
R432002442	5.82	2.03	2.3	0.39	1.57	4.9	3.54	7.09	3.15

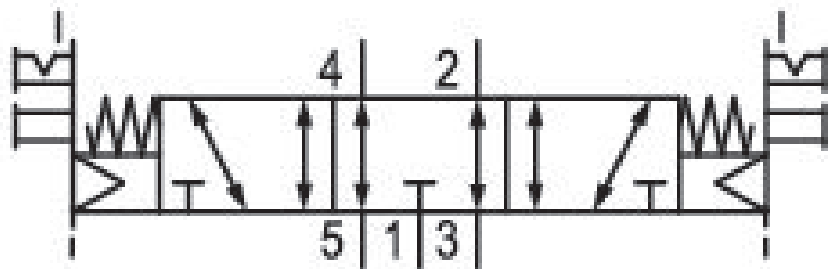
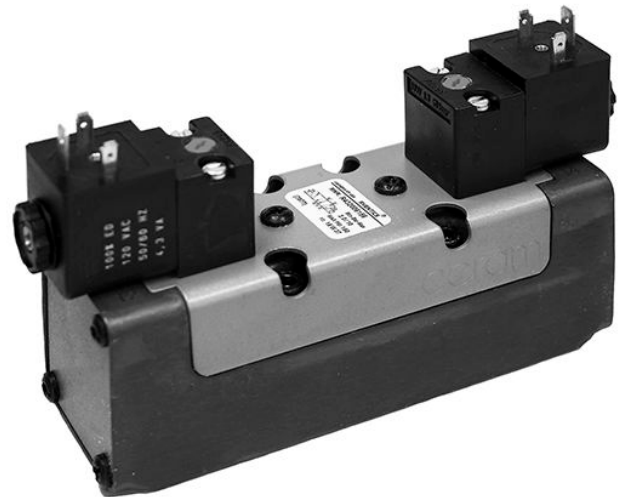
Part No.	K
R432030023	0.92
R432006060	0.92
R432006063	0.92
R432006058	0.92
R432006059	0.92
R432002440	0.92
R432002442	0.92

5/3-directional valve, Series CERAM™, size 2

R432002440

Series CERAM™, size 2

■ Qn max. [[2400] l/min]



Technical data

Industry
Industrial

Activation
Electrically

Nominal flow Qn
2400 l/min

Switching principle
5/3

Version
Exhausted Center

Working pressure min.
0 bar

Working pressure max
10.3 bar

Actuating control
Single Solenoid

Sealing principle
Ceramic

Pilot
External

Standards
ISO 5599-1

Pilot valve width

30 mm CNOMO

Frame size

ISO 2

basic valve with electrical connector

Basic valve without coil

Valve plug connector

Without valve plug connector

Control pressure min.

-0.8 bar

Control pressure max.

10.3 bar

Min. ambient temperature

-15 °C

Max. ambient temperature

66 °C

Connection type

Plate connection

Blocking principle

Single base plate principle

Can be assembled into blocks

Can be assembled into blocks

Min. medium temperature

-15 °C

Max. medium temperature

66 °C

Medium

Compressed air

Standard compressed air connection

according to ISO 5599-1

Compressed air connection pilot exhaust

Base plate ISO 5599-1

Pilot valve width

30 mm CNOMO

Protection class according to NEMA

NEMA 4

mounting screws

M5 with hexagon socket

Mounting screw tightening torque

2.2 Nm

Weight

1.21 kg

Material

Housing material

Die-cast aluminum

Surface housing

painted gray

Part No.

R432002440

Technical information

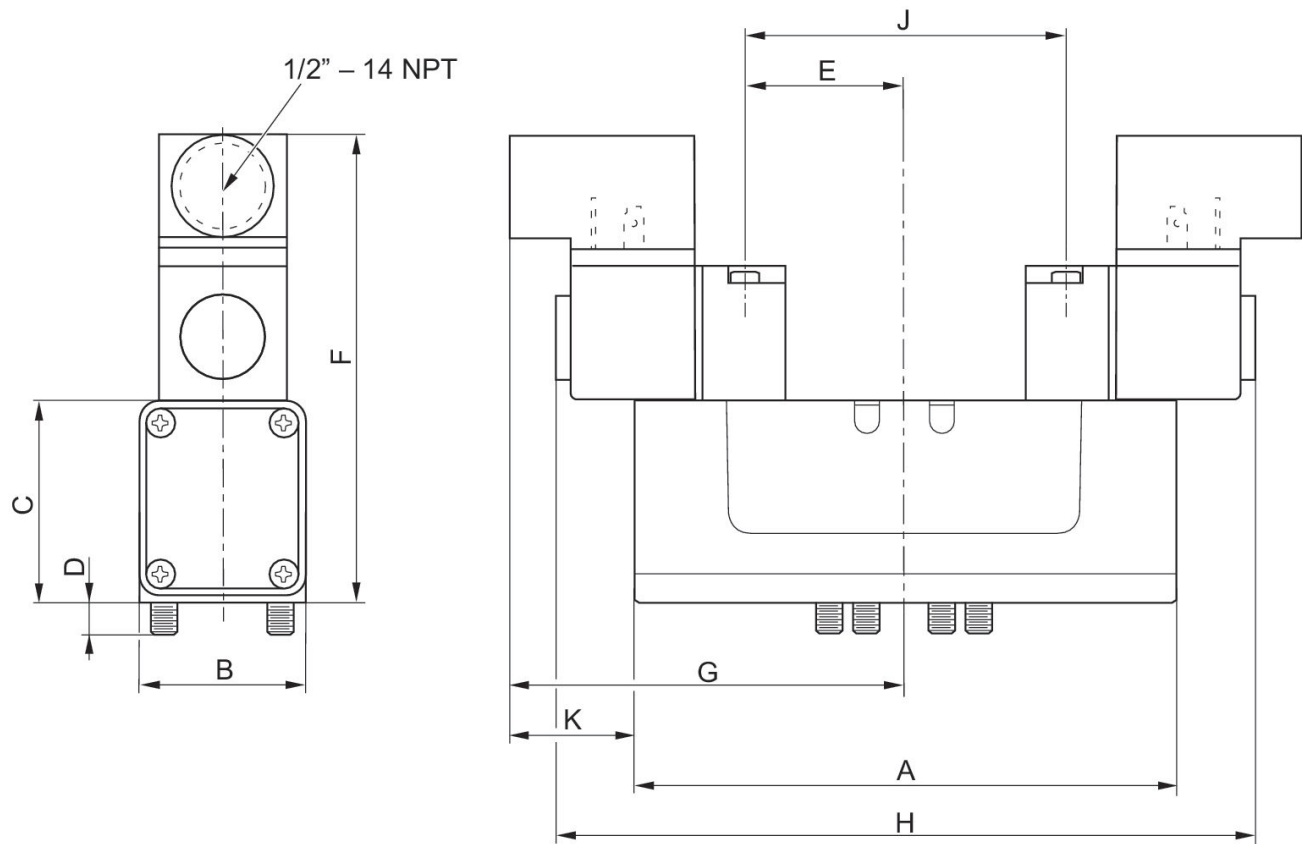
The min. control pressure must be adhered to, since otherwise faulty switching and valve failure may result!

The pressure dew point must be at least 15 °C under ambient and medium temperature and may not exceed 3 °C .

The oil content of compressed air must remain constant during the life cycle.

Use only the approved oils from AVENTICS. Further information can be found in the "Technical information" document (available in <https://www.emerson.com/en-us/support>).

Dimensions in inches



Dimensions in inches

Part No.	A	B	C	D	E	F	G	H	J
R432030023	5.82	2.03	2.3	0.39	1.57	4.9	3.54	7.09	3.15
R432006060	5.82	2.03	2.3	0.39	1.57	4.9	3.54	7.09	3.15
R432006063	5.82	2.03	2.3	0.39	1.57	4.9	3.54	7.09	3.15
R432006058	5.82	2.03	2.3	0.39	1.57	4.9	3.54	7.09	3.15
R432006059	5.82	2.03	2.3	0.39	1.57	4.9	3.54	7.09	3.15
R432002440	5.82	2.03	2.3	0.39	0.39	4.9	3.54	7.09	3.15
R432002442	5.82	2.03	2.3	0.39	1.57	4.9	3.54	7.09	3.15

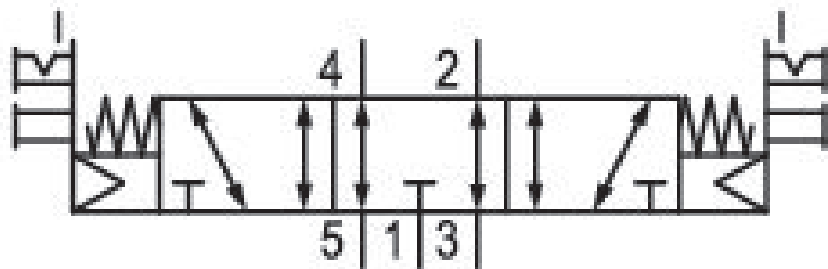
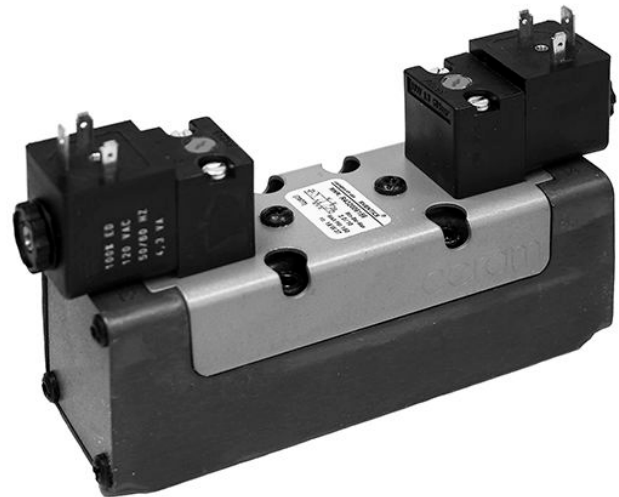
Part No.	K
R432030023	0.92
R432006060	0.92
R432006063	0.92
R432006058	0.92
R432006059	0.92
R432002440	0.92
R432002442	0.92

5/3-directional valve, Series CERAM™, size 2

R432002442

Series CERAM™, size 2

■ Qn max. [[2400] l/min]



Technical data

Industry
Industrial

Activation
Electrically

Nominal flow Qn
2400 l/min

Switching principle
5/3

Version
Exhausted Center

Working pressure min.
0 bar

Working pressure max
10.3 bar

Actuating control
Double Solenoid

Sealing principle
Ceramic

Pilot
Internal

Standards
ISO 5599-1

Pilot valve width

30 mm CNOMO

Frame size

ISO 2

basic valve with electrical connector

Basic valve without coil

Valve plug connector

Without valve plug connector

Control pressure min.

2 bar

Control pressure max.

10.3 bar

Min. ambient temperature

-15 °C

Max. ambient temperature

66 °C

Connection type

Plate connection

Blocking principle

Single base plate principle

Can be assembled into blocks

Can be assembled into blocks

Min. medium temperature

-15 °C

Max. medium temperature

66 °C

Medium

Compressed air

Standard compressed air connection

according to ISO 5599-1

Compressed air connection pilot exhaust

Base plate ISO 5599-1

Pilot valve width

30 mm CNOMO

Protection class according to NEMA

NEMA 4

mounting screws

M6 with hexagon socket

Mounting screw tightening torque

2.2 Nm

Weight

1.45 kg

Material

Housing material

Die-cast aluminum

Surface housing

painted gray

Part No.

R432002442

Technical information

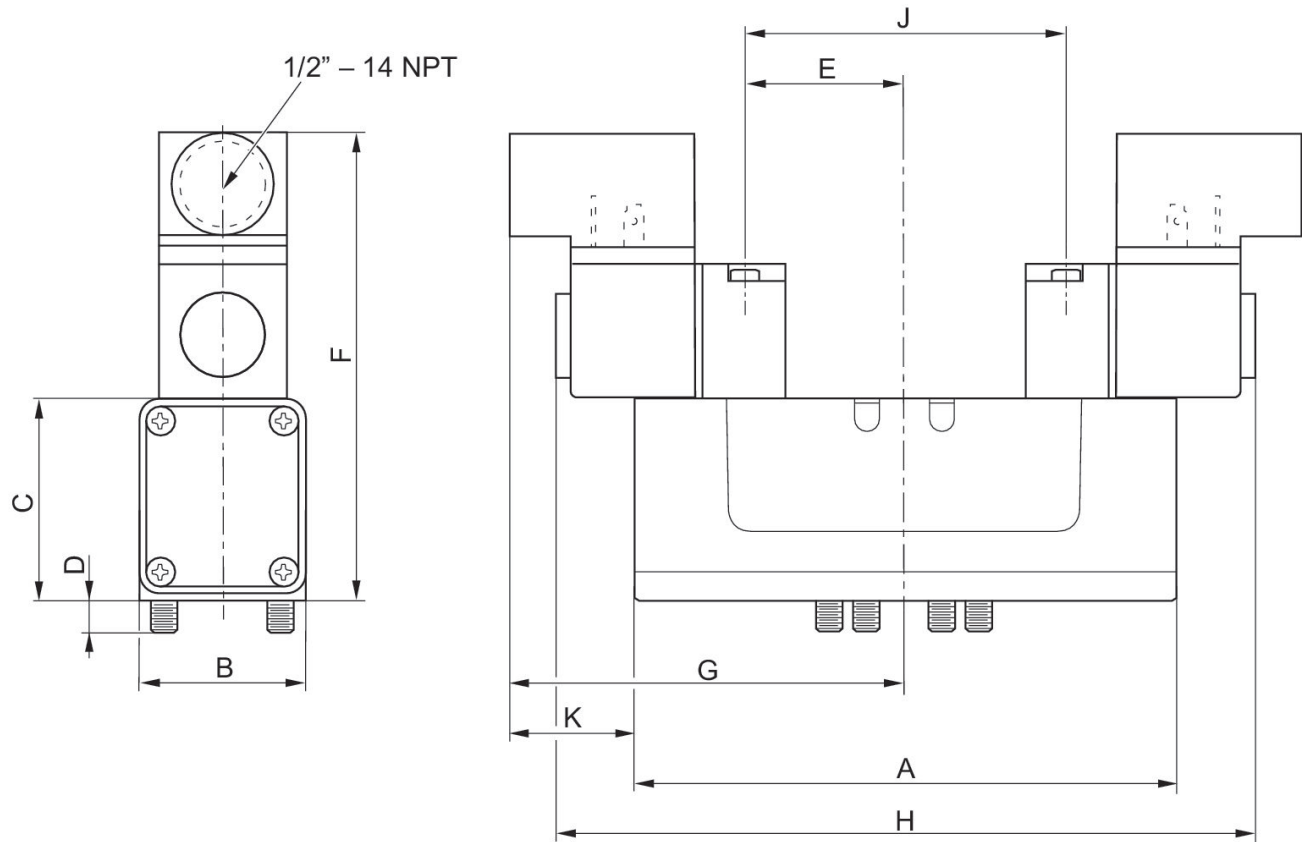
The min. control pressure must be adhered to, since otherwise faulty switching and valve failure may result!

The pressure dew point must be at least 15 °C under ambient and medium temperature and may not exceed 3 °C .

The oil content of compressed air must remain constant during the life cycle.

Use only the approved oils from AVENTICS. Further information can be found in the "Technical information" document (available in <https://www.emerson.com/en-us/support>).

Dimensions in inches



Dimensions in inches

Part No.	A	B	C	D	E	F	G	H	J
R432030023	5.82	2.03	2.3	0.39	1.57	4.9	3.54	7.09	3.15
R432006060	5.82	2.03	2.3	0.39	1.57	4.9	3.54	7.09	3.15
R432006063	5.82	2.03	2.3	0.39	1.57	4.9	3.54	7.09	3.15
R432006058	5.82	2.03	2.3	0.39	1.57	4.9	3.54	7.09	3.15
R432006059	5.82	2.03	2.3	0.39	1.57	4.9	3.54	7.09	3.15
R432002440	5.82	2.03	2.3	0.39	0.39	4.9	3.54	7.09	3.15
R432002442	5.82	2.03	2.3	0.39	1.57	4.9	3.54	7.09	3.15

Part No.	K
R432030023	0.92
R432006060	0.92
R432006063	0.92
R432006058	0.92
R432006059	0.92
R432002440	0.92
R432002442	0.92

End plate right, Inch version

- standard ISO 5599-1
- Frame size ISO 1 ISO 2 ISO 3
- type C



Standards	ISO 5599-1
Working pressure min./max.	-0.95 ... 16 bar
Ambient temperature min./max.	-15 ... 70 °C
Medium temperature min./max.	-15 ... 70 °C
Medium	Compressed air
Weight	See table below

Technical data

Part No.	Frame size	Compressed air connection Input [1]	Compressed air connection Exhaust [3 / 5]	Weight
R432037652	ISO 1	3/8 NPT	3/8 NPT	0.32 kg
R432037654	ISO 2	3/4 NPT	3/4 NPT	0.491 kg
R432037656	ISO 3	1 NPT	1 NPT	1.32 kg

Scope of delivery incl. seal and mounting screws

Technical information

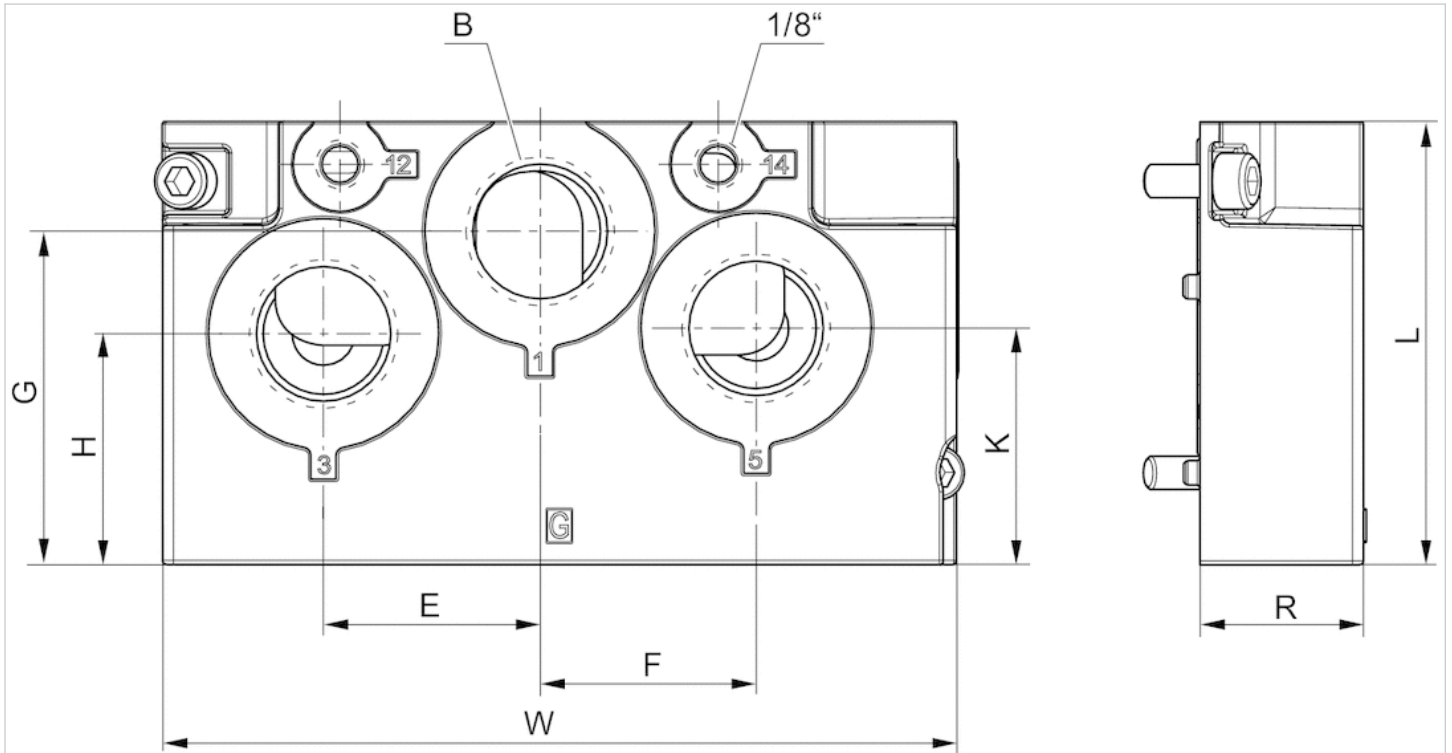
The min. control pressure must be adhered to, since otherwise faulty switching and valve failure may result!
 The pressure dew point must be at least 15 °C under ambient and medium temperature and may not exceed 3 °C .
 The oil content of compressed air must remain constant during the life cycle.
 Use only the approved oils from AVENTICS. Further information can be found in the "Technical information" document (available in the MediaCentre).

Technical information

Material	
Surface	Painted
Base plate	Die-cast aluminum, black painted
Seal	Acrylonitrile butadiene rubber

Dimensions

Dimensions



Dimensions

Part No.	E	F	G	H	J	K	W	Frame size
R432037652	23	18	15.5	30	20	37.5	135	ISO 1
R432037654	39	39	60	41.5	38	42.5	143	ISO 2
R432037656	49	49	76	53	32	53	53	ISO 3

End plate left

- standard ISO 5599-1
- Frame size ISO 1 ISO 2 ISO 3
- type C



Standards	ISO 5599-1
Working pressure min./max.	-0.95 ... 16 bar
Ambient temperature min./max.	-15 ... 70 °C
Medium temperature min./max.	-15 ... 70 °C
Medium	Compressed air
Weight	See table below

Technical data

Part No.	Frame size	Compressed air connection Input [1]	Compressed air connection Exhaust [3 / 5]	Weight
R432037646	ISO 1	3/8 NPT	3/8 NPT	0.309 kg
R432037648	ISO 2	3/4 NPT	3/4 NPT	0.509 kg
R432037650	ISO 3	1 NPT	1 NPT	1.31 kg

Scope of delivery incl. seal and mounting screws

Technical information

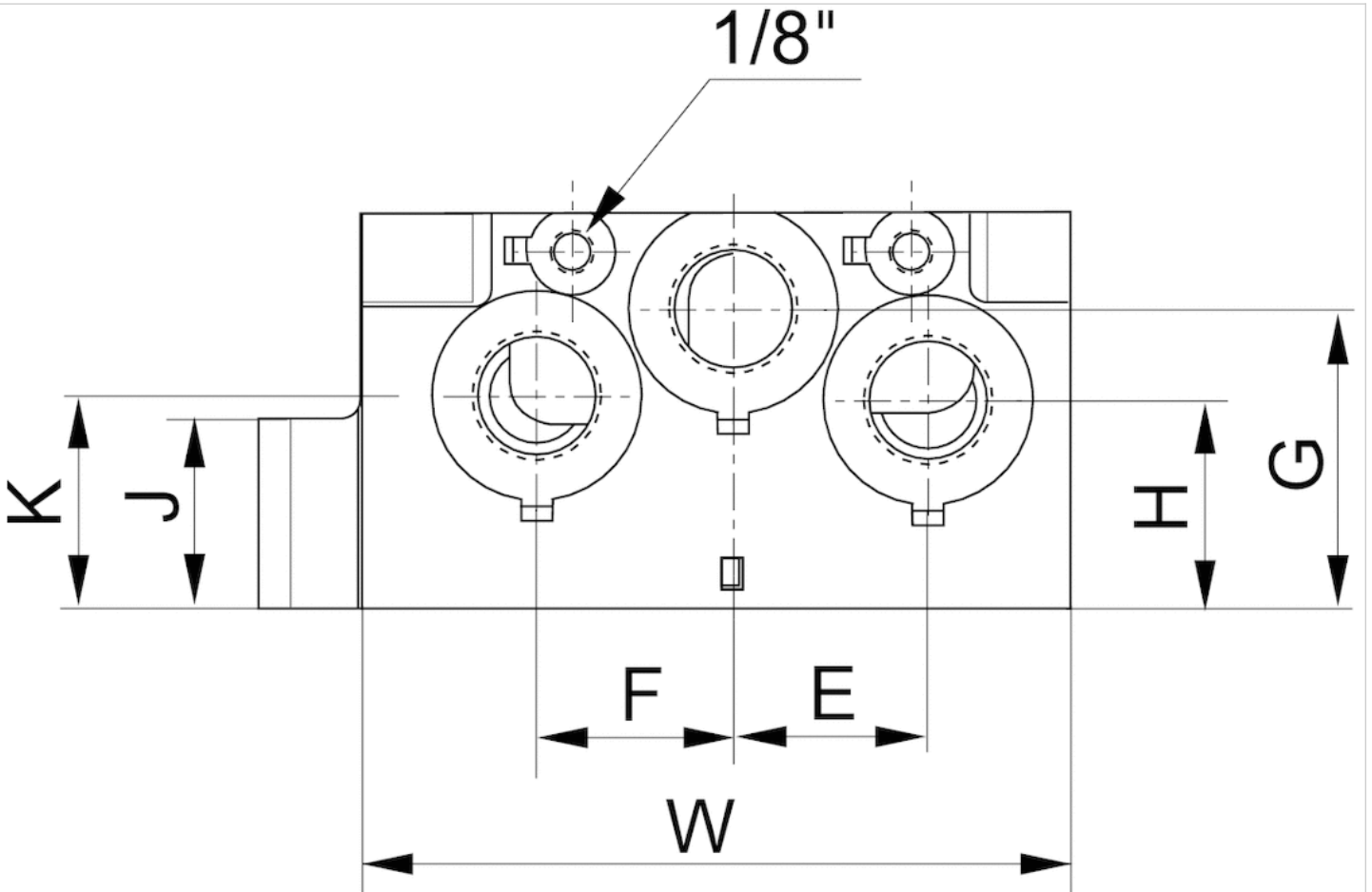
The min. control pressure must be adhered to, since otherwise faulty switching and valve failure may result!
 The pressure dew point must be at least 15 °C under ambient and medium temperature and may not exceed 3 °C .
 The oil content of compressed air must remain constant during the life cycle.
 Use only the approved oils from AVENTICS. Further information can be found in the "Technical information" document (available in the MediaCentre).

Technical information

Material	
Base plate	Die-cast aluminum
Seal	Acrylonitrile butadiene rubber

Dimensions

Dimensions



Dimensions

Part No.	E	F	G	H	J	K	W
R432037646	23	18	15.5	30	20	37.5	135
R432037648	39	39	60	41.5	38	42.5	143
R432037650	49	49	76	53	32	53	164

ISO 5599-1, Base and end plates, Inch version

- standard ISO 5599-1
- Frame size ISO 1 ISO 2 ISO 3
- type C
- Compressed air connection output 3/8 NPT 1/2 NPT 3/4 NPT
- Can be assembled into blocks



Standards	ISO 5599-1
Working pressure min./max.	-1 ... 16 bar
Ambient temperature min./max.	-20 ... 70 °C
Medium temperature min./max.	-20 ... 70 °C
Medium	Compressed air
Direction of pneumatic port (1)	Both directions possible
Direction of pneumatic port (3,5)	Both directions possible
Exhaust type	Ports separated
Weight	See table below

Technical data

Part No.	Frame size	Compressed air connection Output [2 / 4]	Weight
R432037640	ISO 1	3/8 NPT	0.592 kg
R432037642	ISO 2	1/2 NPT	1.04 kg
R432037644	ISO 3	3/4 NPT	1.89 kg

Scope of delivery incl. seal and mounting screws

Technical information

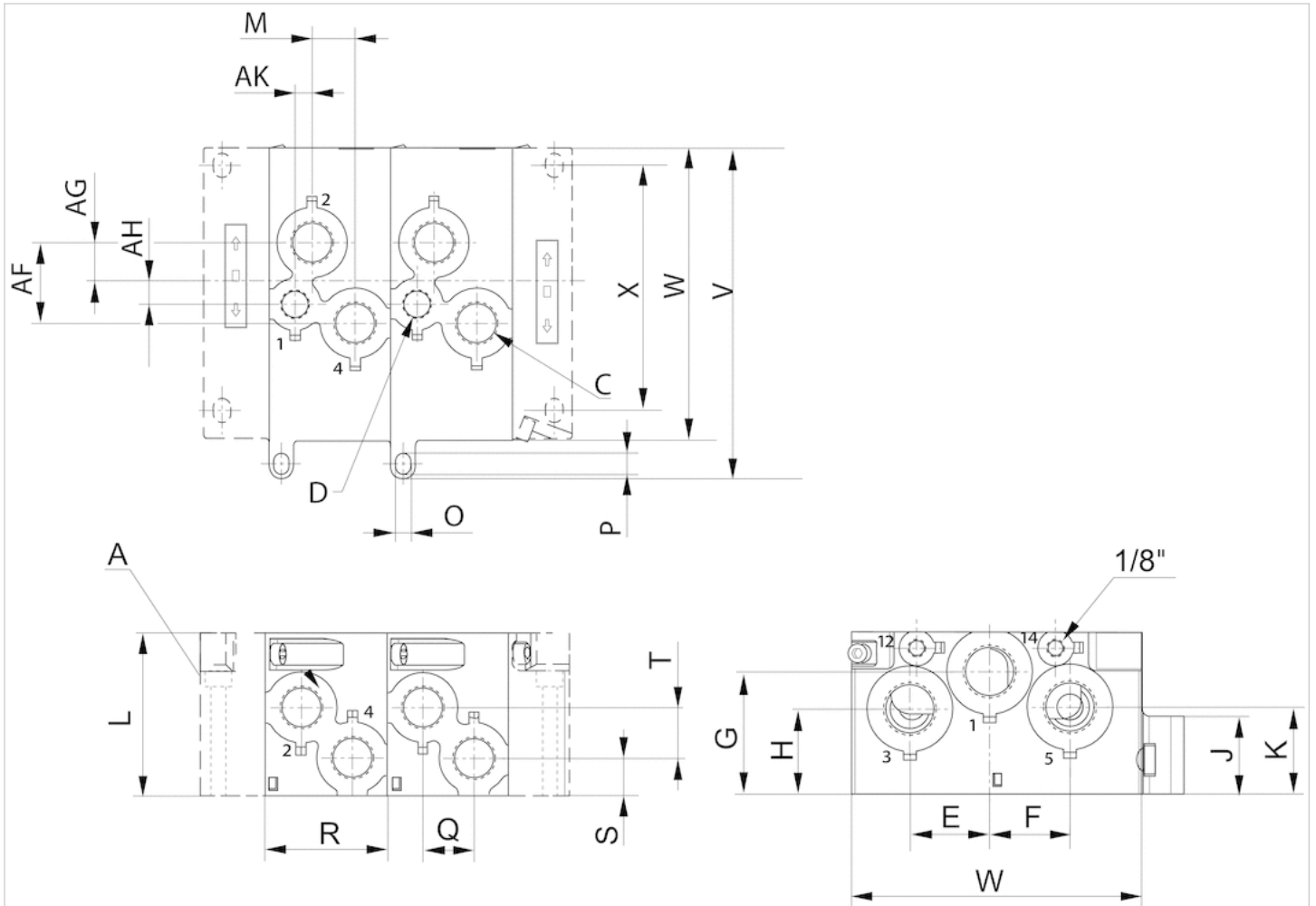
The min. control pressure must be adhered to, since otherwise faulty switching and valve failure may result!
 The pressure dew point must be at least 15 °C under ambient and medium temperature and may not exceed 3 °C .
 The oil content of compressed air must remain constant during the life cycle.
 Use only the approved oils from AVENTICS. Further information can be found in the "Technical information" document (available in the MediaCentre).

Technical information

Material	
Surface	painted
Base plate	Die-cast aluminum, black painted
Seal	Acrylonitrile butadiene rubber

Dimensions

Dimensions



A = left and right end plates in two versions

Dimensions

Part No.	A	D	C	F	G	H	K	L	M	O	P	R	Q	S	T
R432037640	1/4 NPT	-	3/8 NPT	23.8	11.8	-	-	60.6	12	5.5	8.5	45	18	13.3	14.7
R432037642	1/2 NPT	3/8 NPT	1/2 NPT	39.5	19	11	8.2	79.7	21	5.5	9.3	59.5	25	18	24.8
R432037644	3/4 NPT	1/2 NPT	3/4 NPT	46.3	25.1	11.2	15.8	100	22.5	6.3	9.3	80	38	24.5	20.5

Single subbase, thread connections on the side

- standard ISO 5599-1

- Compressed air connection output 3/8 NPTF 1/2 NPTF



Standards	ISO 5599-1
Working pressure min./max.	-0.95 ... 16 bar
Ambient temperature min./max.	-25 ... 70 °C
Medium temperature min./max.	-25 ... 70 °C
Medium	Compressed air
Number of valve positions max.	1
Direction of pneumatic port (1)	On the side
Direction of pneumatic port (3,5)	On the side
Direction of pneumatic port (12)	On the side
Direction of pneumatic port (14)	On the side
Exhaust (3,5)	With directional exhaust (3/5)
Exhaust type	Ports separated
Weight	0.1 kg

Technical data

Part No.	Compressed air connection Input [1]	Compressed air connection Output [2 / 4]
R432031845	3/8 NPTF	3/8 NPTF
R432036356	1/2 NPTF	1/2 NPTF

Part No.	Compressed air connection Exhaust [3 / 5]	Compressed air connection Pilot connection [X]
R432031845	3/8 NPTF	1/8" NPTF
R432036356	1/2 NPTF	1/8" NPTF

Part No.	Compressed air connection Pilot control exhaust [R]
R432031845	1/8" NPTF
R432036356	1/8" NPTF

Technical information

The min. control pressure must be adhered to, since otherwise faulty switching and valve failure may result!

The pressure dew point must be at least 15 °C under ambient and medium temperature and may not exceed 3 °C .

The oil content of compressed air must remain constant during the life cycle.

Use only the approved oils from AVENTICS. Further information can be found in the "Technical information" document (available in the MediaCentre).

For use with HV series valves, the ambient temperature is -25 °C...200 °C and the medium temperature is -25 °C...120 °C.

Reversed pressure supply is not permitted for HV series valves.

Technical information

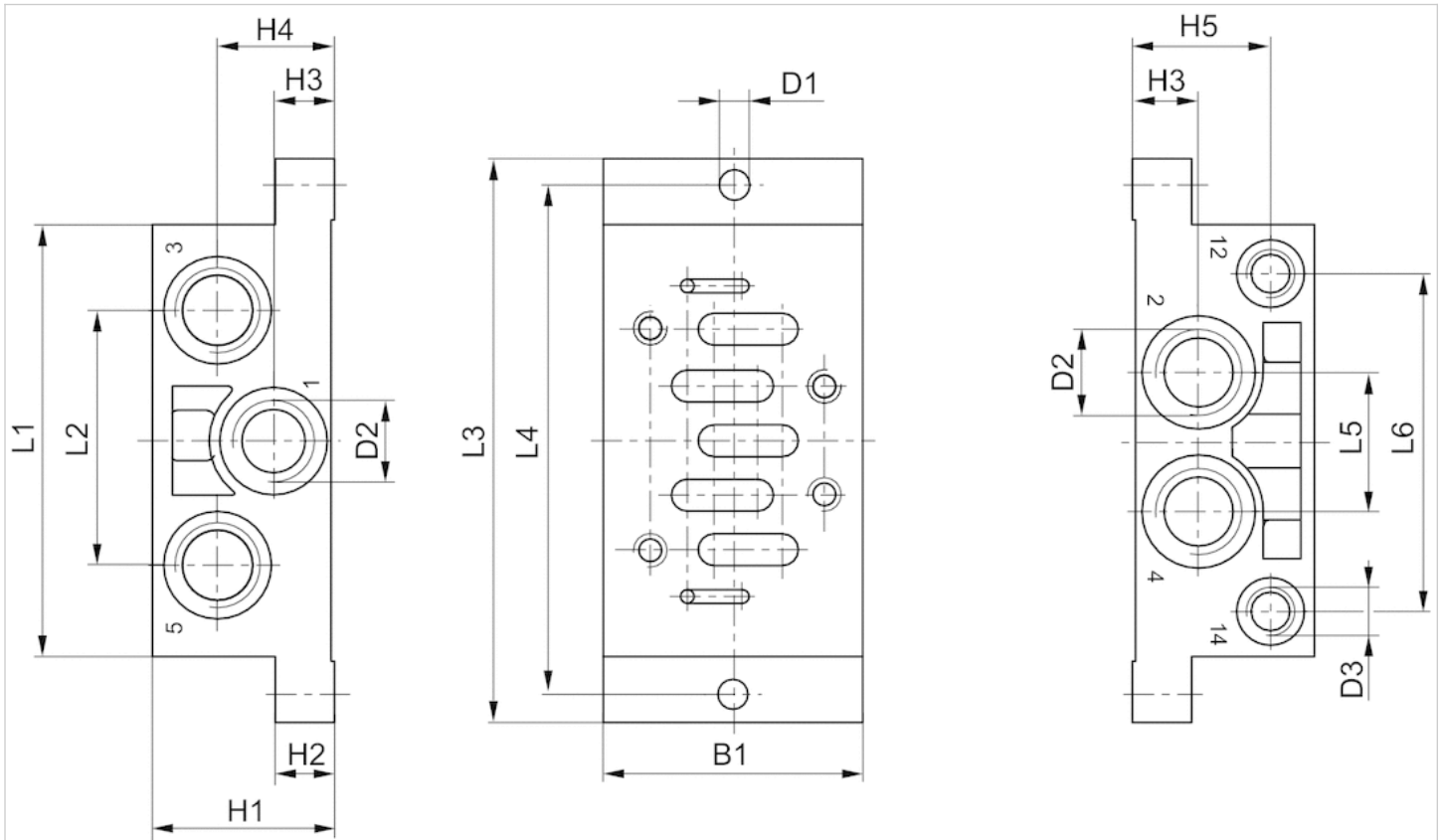
Material

Base plate

Die-cast aluminum

Dimensions

Dimensions in inches



Dimensions in inches

Part No.	B1	H1	H2	H3	H4	H5	D1	D2 *)	D3 *)	L1	L2	L3	L4	L5	L6
R432031845	2.2	1.57	0.51	0.55	1.02	1.18	0.26	3/8" NPTF	1/8" NPTF	3.74	2.2	4.88	4.41	1.18	2.91
-	-	-	-	-	-	-	-	-	-	-	-	-	-	-	-

*) Ports





Pressure regulator

- Qn = 1050-1070 l/min
- standard ISO 5599-1
- Frame size ISO 2
- Controlled port 1 2 2, 4



Working pressure min./max.	12 bar
Adjustment range min./max.	0.5 ... 8 bar
Ambient temperature min./max.	-15 ... 50 °C
Medium	Compressed air
Max. particle size	5 µm
Oil content of compressed air	0 ... 5 mg/m ³
Tightening torque for mounting screws	5 Nm
Weight	See table below
	The delivered product may vary from that in the illustration.

Technical data

Part No.		Frame size	Flow	Controlled port	Weight
			Qn		
R422103092		ISO 2	1050 l/min	1	1 kg
R422103093		ISO 2	1070 l/min	2	1.11 kg
R422103094		ISO 2	1070 l/min	2, 4	1.6 kg
R422103095		ISO 2	1050 l/min	1	1 kg

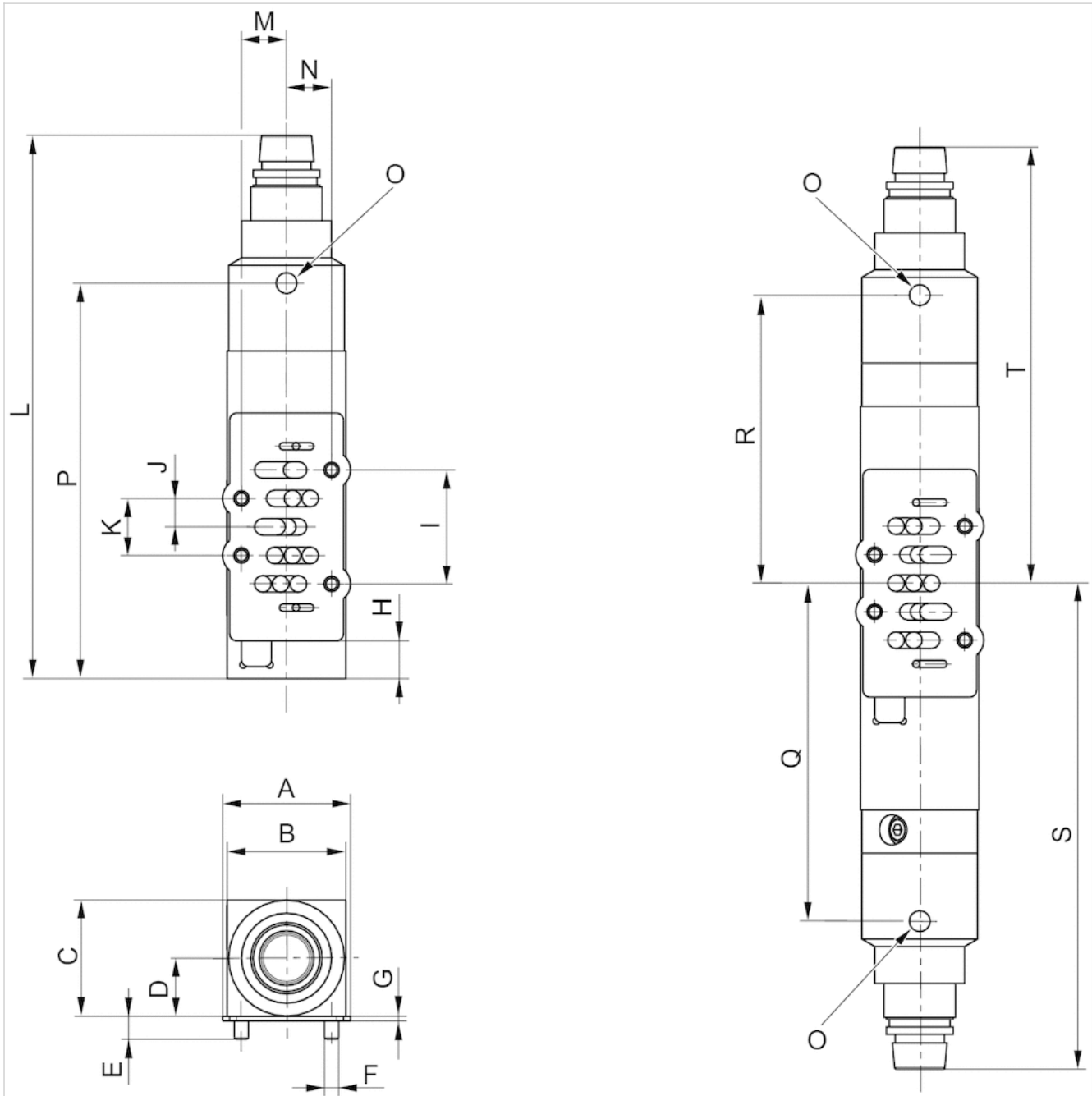
Scope of delivery incl. seal and mounting screws, Order pressure gauge separately, Nominal flow Qn at 6 bar and $\Delta p = 1$ bar .

Technical information

Material	
Housing	Aluminum
Seals	Butadiene rubber

Dimensions

Dimensions



Dimensions

Part No.	A	B	C	D	E	F	G	H	I	J	K	L	M	N	O	P	Q	R
R422103092	54	50	48.90	24.45	9.70	M6	2	15.90	48	12	24	228.90	19	19	G 1/8	166.58	-	-
R422103093	54	50	48.90	24.45	9.70	M6	2	15.90	48	12	24	247.20	19	19	G 1/8	183.84	-	-
R422103094	54	50	48.90	24.45	9.70	M6	2	-	48	12	24	-	19	19	G 1/8	-	142.34	121.34
R422103095	54	50	48.90	24.45	9.70	M6	2	-	48	12	24	-	19	19	G 1/8	-	-	-

S	T
-	-
-	-

S	T
204.66	183.66
-	-

Blanking plate

- standard ISO 5599-1
- Frame size ISO 1 ISO 2 ISO 3 ISO 4



Standards	ISO 5599-1
Working pressure min./max.	-1 ... 16 bar
Ambient temperature min./max.	-20 ... 70 °C
Medium temperature min./max.	-20 ... 70 °C
Medium	Compressed air
Number of valve positions max.	1
Weight	See table below

Technical data

Part No.	Frame size	Weight
5801870000	ISO 1	0.055 kg
5802870000	ISO 2	0.1 kg
5803870000	ISO 3	0.21 kg
5804870000	ISO 4	0.27 kg

Scope of delivery incl. seal and mounting screws

Technical information

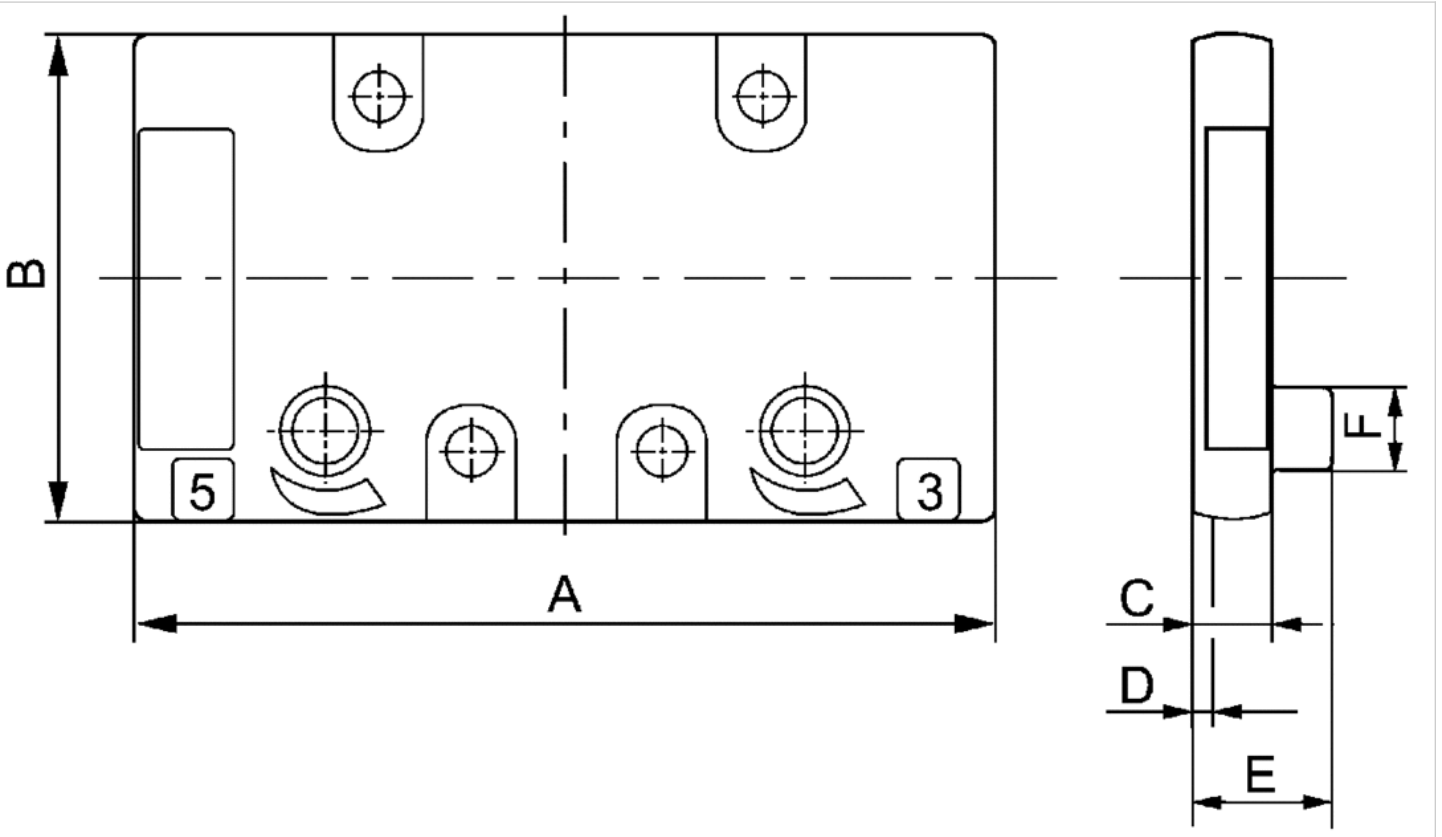
The min. control pressure must be adhered to, since otherwise faulty switching and valve failure may result!
 The pressure dew point must be at least 15 °C under ambient and medium temperature and may not exceed 3 °C .
 The oil content of compressed air must remain constant during the life cycle.
 Use only the approved oils from AVENTICS. Further information can be found in the "Technical information" document (available in the MediaCentre).

Technical information

Material	
Housing	Die-cast aluminum, black painted
Base plate	Die-cast aluminum
Seal	Acrylonitrile butadiene rubber

Dimensions

Dimensions



Dimensions

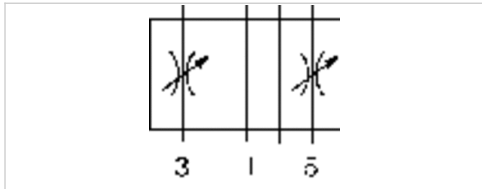
Part No.	A	B	C	D	E	F	Weight
5801870000	69	39	7	2	–	–	0.055 kg
5802870000	86.4	49.4	9	2	–	–	0.1 kg
5803870000	116.5	63.5	10	2	15	12	0.21 kg
5804870000	142.5	74.5	10	2	20	15	0.27 kg

Throttle plate

- standard ISO 5599-1
- Frame size ISO 1 ISO 2



Standards	ISO 5599-1
Working pressure min./max.	0 ... 16 bar
Ambient temperature min./max.	0 ... 80 °C
Medium temperature min./max.	0 ... 80 °C
Medium	Compressed air
Weight	See table below



Technical data

Part No.	Frame size	Weight
0821201023	ISO 1	0.255 kg
0821201024	ISO 2	0.444 kg

Scope of delivery incl. seal and mounting screws

Technical information

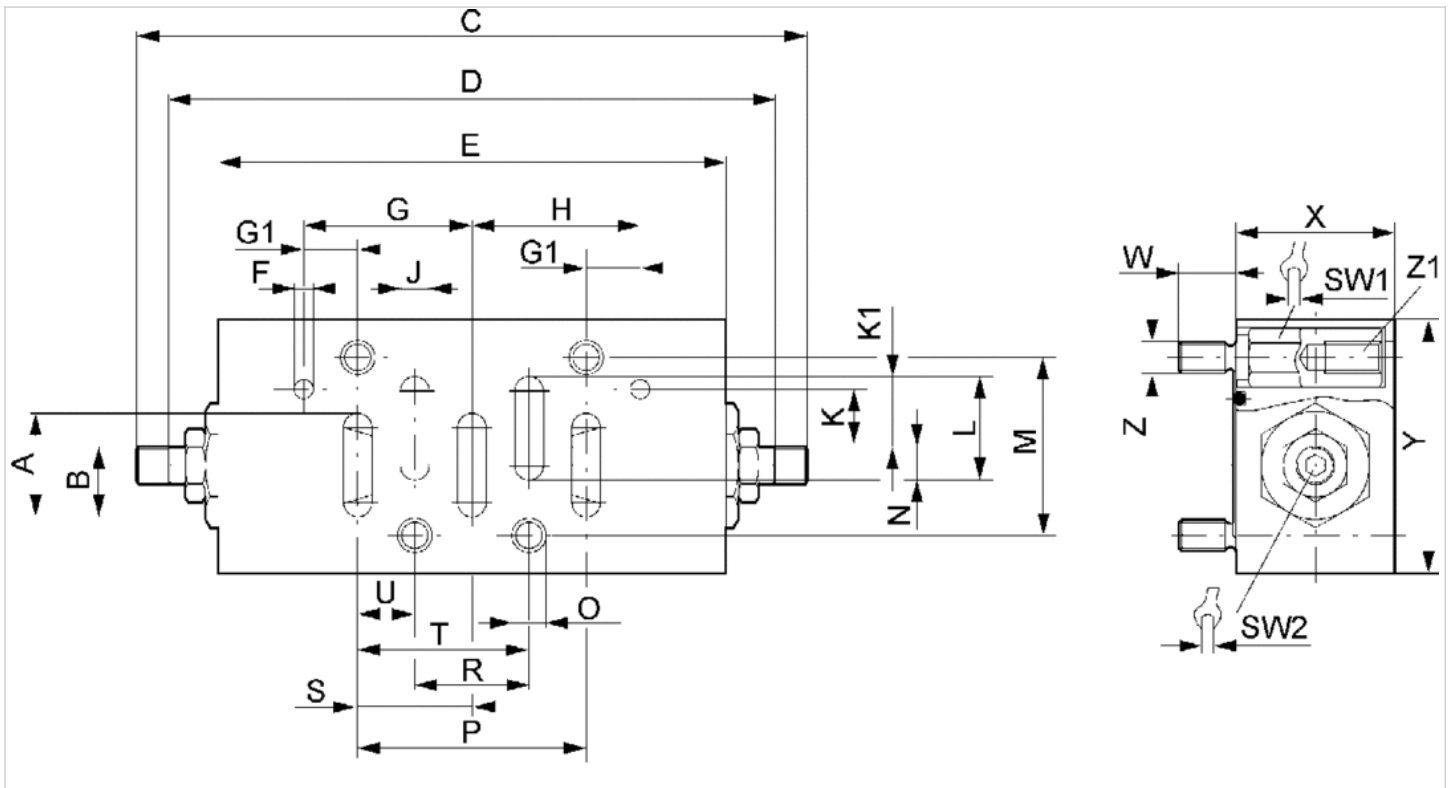
The min. control pressure must be adhered to, since otherwise faulty switching and valve failure may result!
 The pressure dew point must be at least 15 °C under ambient and medium temperature and may not exceed 3 °C .
 The oil content of compressed air must remain constant during the life cycle.
 Use only the approved oils from AVENTICS. Further information can be found in the "Technical information" document (available in the MediaCentre).

Technical information

Material	
Base plate	Aluminum
Seal	Acrylonitrile butadiene rubber

Dimensions

Dimensions



Dimensions

Part No.	A	B	C	D	E	F	G	G1	H	J	K	K1	L	M	N	O	P	R	S	SW1	SW2
0821201023	16.3	11,1	105.6	95.6	80	3	26,5	8.5	26.5	4.5	9	10.8	16.3	28	5.5	5.2	36	18	18	8	3
0821201024	22	13,5	128.6	118.6	102	3	34	10	34	7	10	13.5	22	38	8.5	6.2	48	24	24	9	3

T	U	W	X	Y	Z	Weight	Z1
27	9	9	25	40	M5	0.255 kg	M5-9
36	12	9	25	55	M6	0.444 kg	M6-10

Valve plug connector, series CON-VP

- Socket, 2+E, angled, 90° Socket, 3+E, angled, 90°

- EN 175301-803

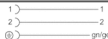






- unshielded

- with LED Yellow Red Green green/red



Connection type	Screws
Ambient temperature min./max.	-40 ... 90 °C
Operational voltage	See table below
Protection class	IP65
Mounting screw tightening torque	0.4 Nm
Weight	See table below

Technical data

Part No.		Electrical connection	Operational voltage	Max. current
		1		
1834484048		Socket 2+E angled 90°	-	10 A
1834484059		Socket 3+E angled 90°	-	10 A
1834484101		Socket 2+E angled 90°	24 V AC/DC	-
1834484102		Socket 2+E angled 90°	110 V AC	-
1834484103		Socket 2+E angled 90°	230 V AC	-
8941016112		Socket 2+E angled 90°	230 V AC	-
8941012462		Socket 3+E angled 90°	24 V DC	8 A

Part No.	Protective circuit	Contact assignment	LED status display	suitable cable-Ø min./max
1834484048	-	2+E	-	6 / 8 mm
1834484059	-	3+E	-	6 / 8 mm
1834484101	Z-diode	2+E	Yellow	6 / 8 mm
1834484102	Varistor	2+E	Red	6 / 8 mm
1834484103	Varistor	2+E	Red	6 / 8 mm
8941016112	Varistor	2+E	Green	6 / 10 mm
8941012462	-	3+E	green/red	4.5 / 11 mm

Part No.	Seal	Weight	
1834484048	caoutchouc/butadiene caoutchouc	0.03 kg	1)
1834484059	caoutchouc/butadiene caoutchouc	0.03 kg	1)
1834484101	Silicone caoutchouc	0.03 kg	2)
1834484102	caoutchouc/butadiene caoutchouc	0.03 kg	1)
1834484103	Silicone caoutchouc	0.025 kg	1)
8941016112	caoutchouc/butadiene caoutchouc	0.03 kg	1)
8941012462	caoutchouc/butadiene caoutchouc	0.03 kg	2)

- 1) Profile seal
- 2) Flat gasket

Technical information

The specified protection class is only valid in assembled and tested state.

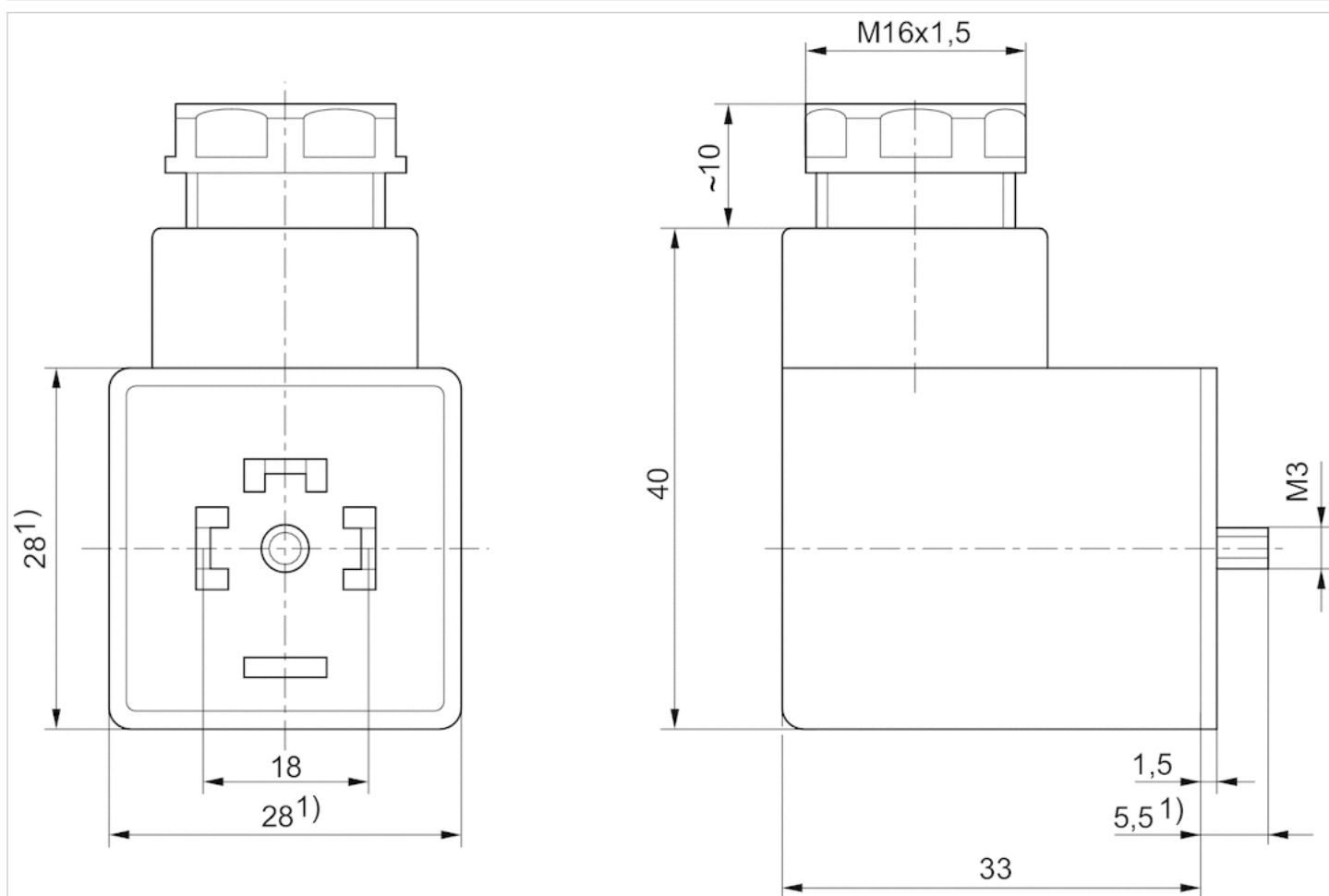
Technical information

Material

Seals	caoutchouc/butadiene caoutchouc Silicone caoutchouc
-------	---

Dimensions

Dimensions



1) Max.

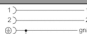


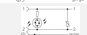

Valve plug connector, series CON-VP

- Socket form A 2+E angled 90°
- open cable ends 3-pin
- with cable
- unshielded



Ambient temperature min./max.	-20 ... 80 °C
Operational voltage	See table below
Protection class	IP67
Wire cross-section	0.75 mm ²
Mounting screw tightening torque	0.4 Nm
Weight	See table below

Technical data

Part No.		Operational voltage	Protective circuit	Contact assignment	LED status display
1834484160		230 V AC/DC	-	2+E	-
1834484162		24 V AC/DC	Z-diode	2+E	Yellow
1834484163		24 V AC/DC	Z-diode	2+E	Yellow
1834484164		230 V AC/DC	Varistor	2+E	Red
1834484165		230 V AC/DC	Varistor	2+E	Red

Part No.	Number of wires	Cable-Ø	Cable length	Weight	Fig.	
1834484160	3	5.9 mm	3 m	0.2 kg	Fig. 1	1)
1834484162	3	5.9 mm	3 m	0.2 kg	Fig. 2	-
1834484163	3	5.9 mm	5 m	0.31 kg	Fig. 2	-
1834484164	3	5.9 mm	3 m	0.2 kg	Fig. 2	-
1834484165	3	5.9 mm	5 m	0.31 kg	Fig. 2	-

1) Scope of delivery incl. flat gasket

Technical information

The specified protection class is only valid in assembled and tested state.

Technical information

Material	
Seals	caoutchouc/butadiene caoutchouc
Cable sheath	Polyvinyl chloride

Dimensions

Fig. 1

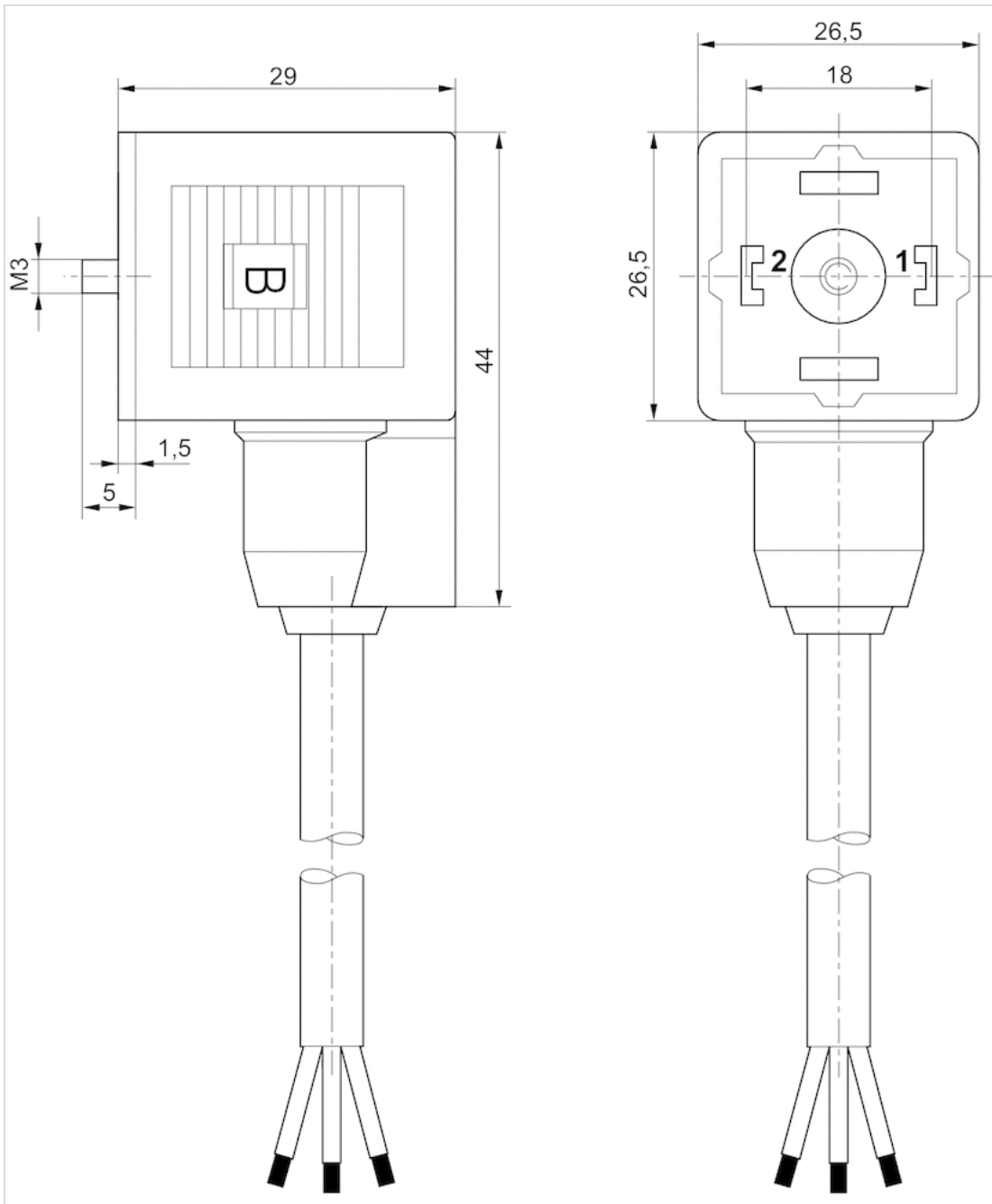
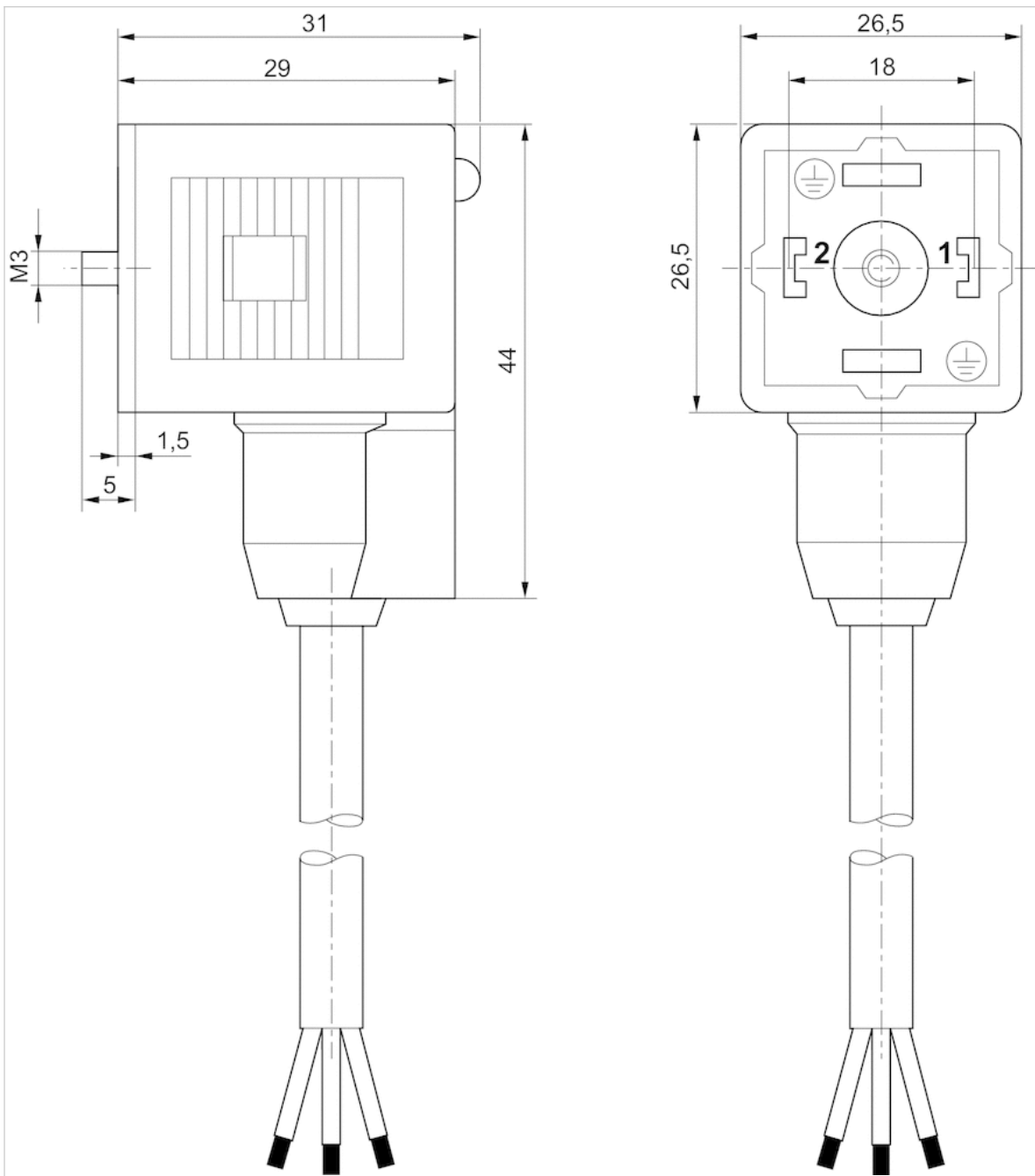


Fig. 2



Coil, Series CO1

R432011985

Coils, Series CO1

- Coil widths 15, 22 and 30 mm
- Electr. control: M8, form A, form B, form BI, form C
- ATEX optional



Technical data

Industry
Industrial

Coil width
30 mm

Max. ambient temperature
50 °C

Connector standard
EN 175301-803, form A

Protection class
IP65

Duty cycle ED
100 %

Compatibility index
14

Electrical connection 2
Plug

Number of poles
3-pin

Operational voltage AC at 50 Hz
110 V

Operational voltage AC at 60 Hz
110 V

Voltage tolerance DC
-10% / +10%

Holding power AC 50 Hz
3.7 VA

Holding power AC 60 Hz
3.7 VA

Weight
0.096 kg

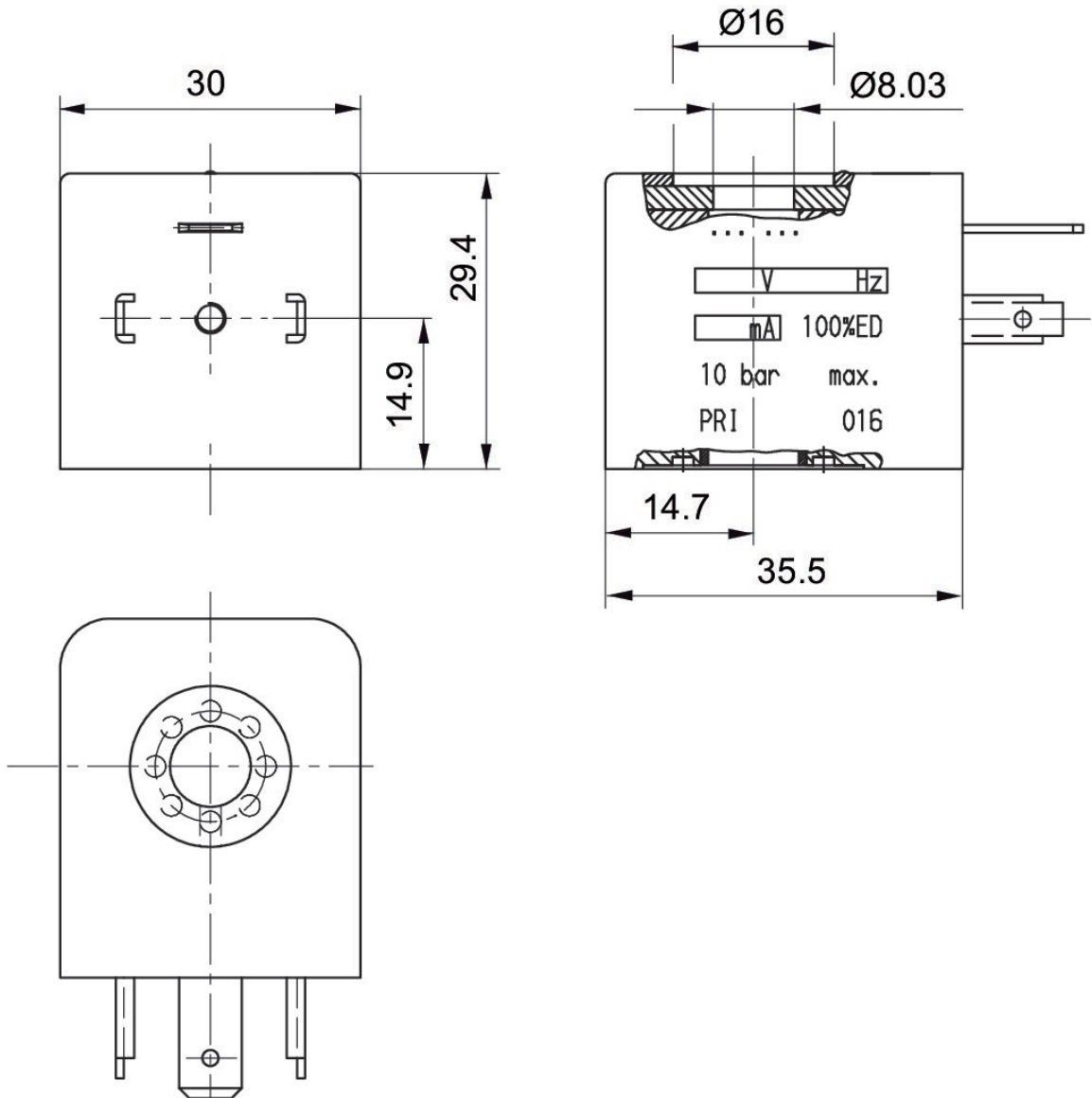
Material

Housing
Thermoplastic elastomer

Part No.
R432011985

Technical information

Dimensions



Coil, Series CO1

R432011986

Coils, Series CO1

- Coil widths 15, 22 and 30 mm
- Electr. control: M8, form A, form B, form BI, form C
- ATEX



Technical data

Industry
Industrial

Coil width
30 mm

Max. ambient temperature
50 °C

Connector standard
EN 175301-803, form A

Protection class
IP65

Duty cycle ED
100 %

Compatibility index
14

Electrical connection 2
Plug

Number of poles
3-pin

Operational voltage AC at 50 Hz
220 V

Operational voltage AC at 60 Hz
220 V

Voltage tolerance DC
-10% / +10%

Holding power AC 50 Hz
3.7 VA

Holding power AC 60 Hz
3.7 VA

Weight
0.096 kg

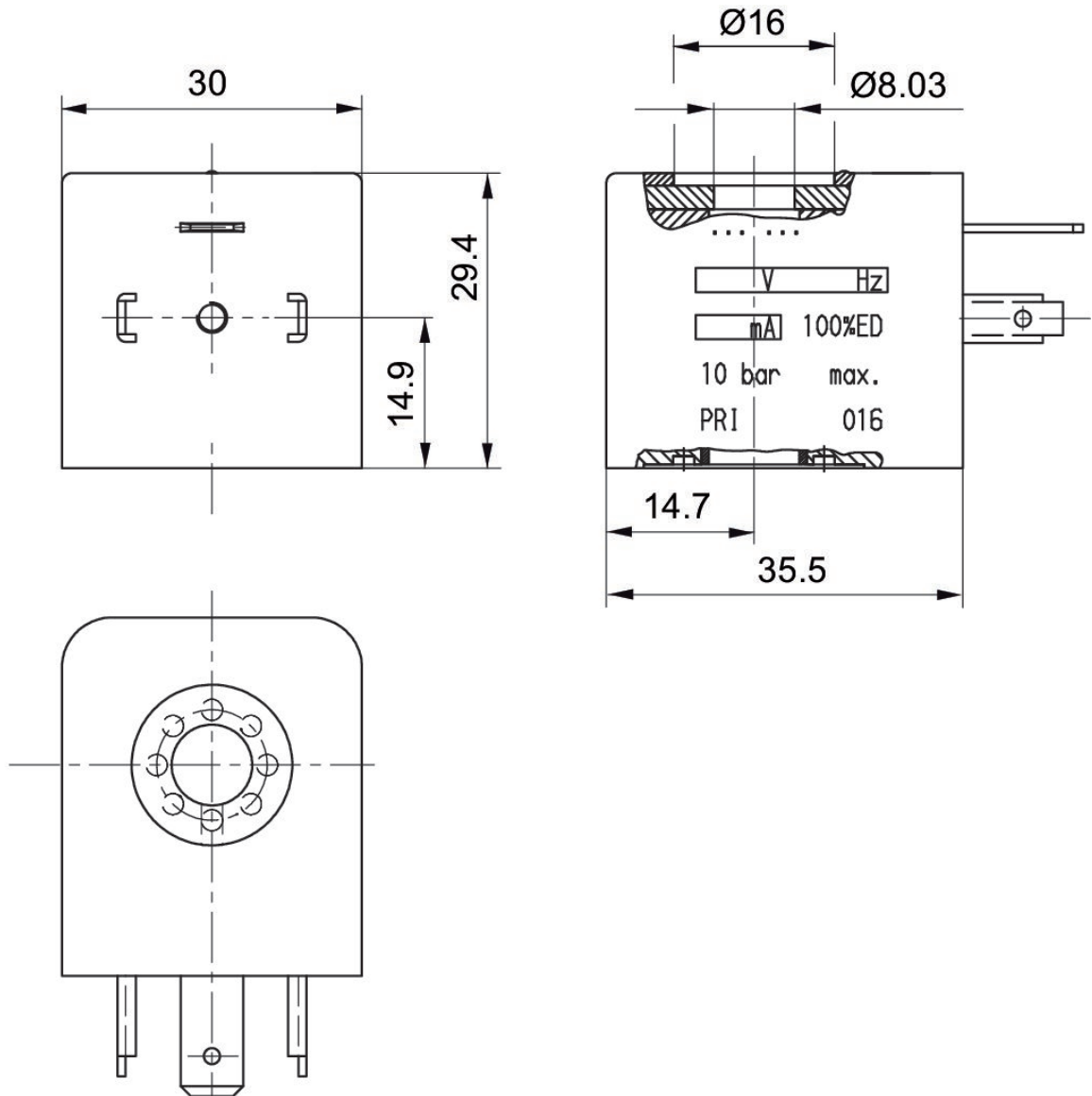
Material

Housing
Thermoplastic elastomer

Part No.
R432011986

Technical information

Dimensions



Coil, Series CO1

R432011989

Coils, Series CO1

- Coil widths 15, 22 and 30 mm
- Electr. control: M8, form A, form B, form BI, form C
- ATEX optional



Technical data

Industry
Industrial

Coil width
30 mm

Max. ambient temperature
50 °C

Connector standard
EN 175301-803, form A

Protection class
IP65

Duty cycle ED
100 %

Compatibility index
14

Electrical connection 2
Plug

Number of poles
3-pin

DC operating voltage
24 V

Voltage tolerance DC
-10% / +10%

Power consumption DC
2.7 W

Weight
0.096 kg

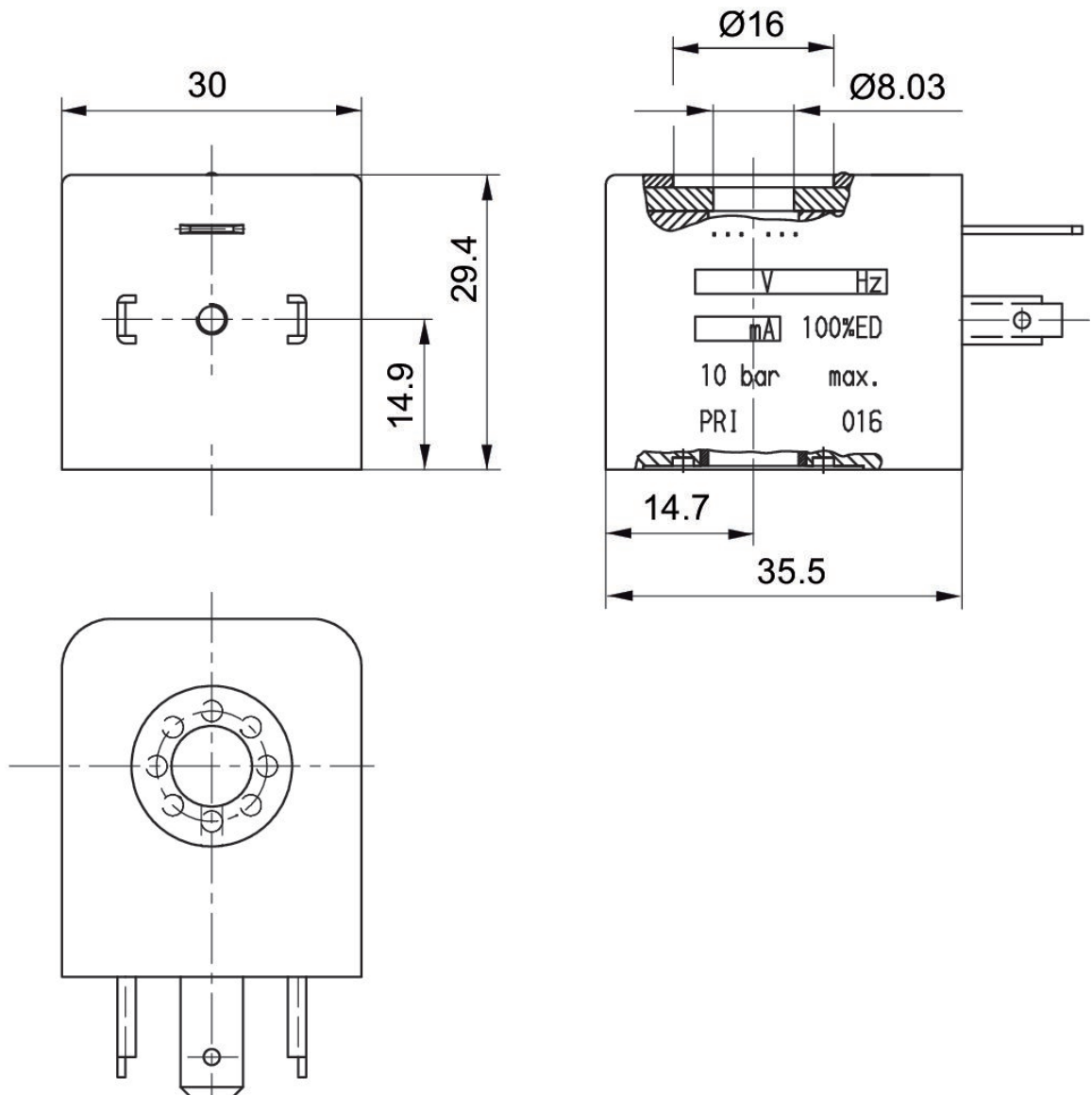
Material

Housing
Thermoplastic elastomer

Part No.
R432011989

Technical information

Dimensions



Coil, Series CO1

R432011990

Coils, Series CO1

- Coil widths 15, 22 and 30 mm
- Electr. control: M8, form A, form B, form BI, form C
- ATEX optional



Technical data

Industry
Industrial

Coil width
30 mm

Max. ambient temperature
50 °C

Connector standard
EN 175301-803, form A

Protection class
IP65

Duty cycle ED
100 %

Compatibility index
14

Electrical connection 2
Plug

Number of poles
3-pin

Operational voltage AC at 50 Hz
24 V

Operational voltage AC at 60 Hz
24 V

Voltage tolerance DC
-10% / +10%

Holding power AC 50 Hz
3.7 VA

Holding power AC 60 Hz
3.7 VA

Weight
0.096 kg

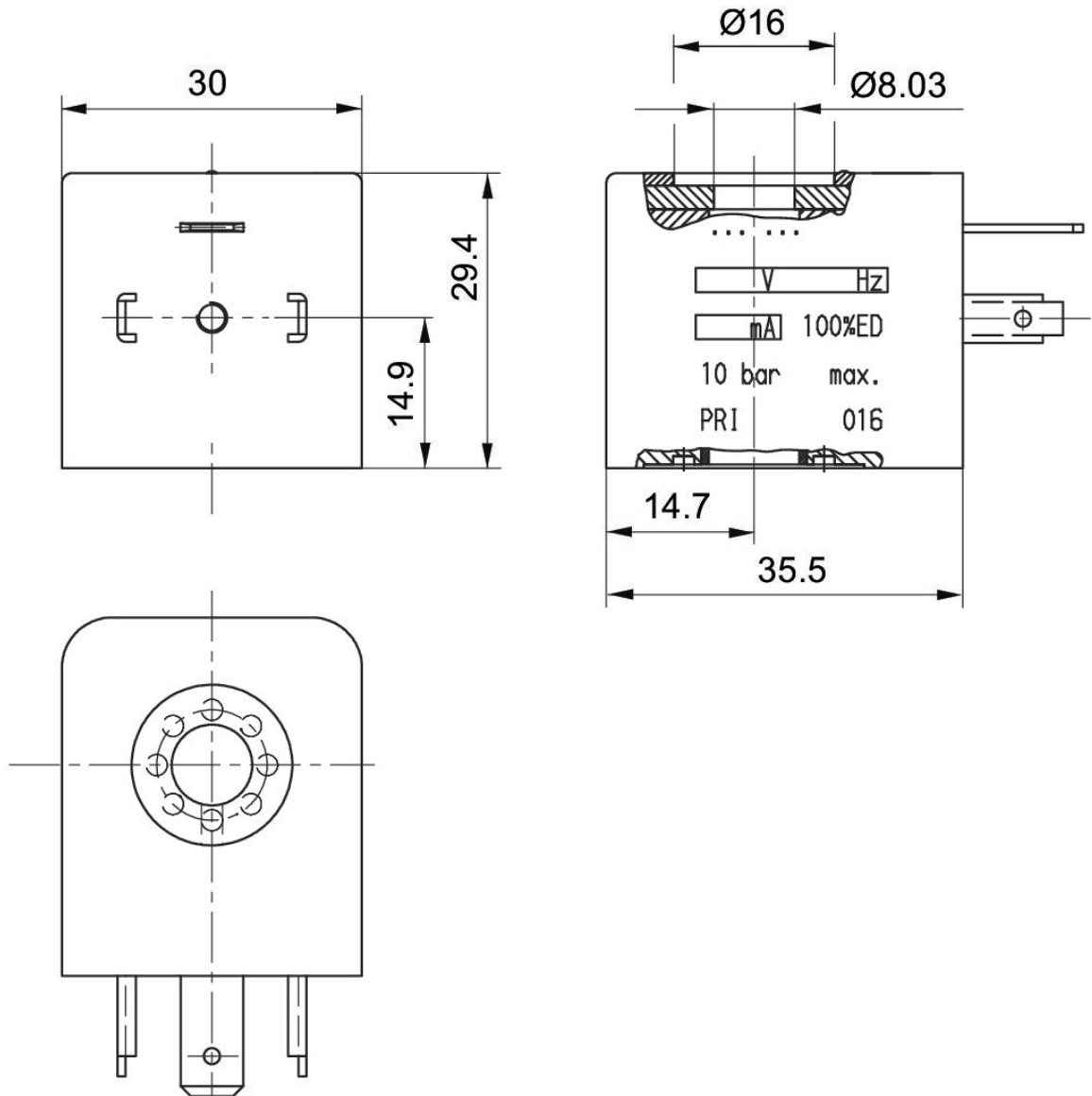
Material

Housing
Thermoplastic elastomer

Part No.
R432011990

Technical information

Dimensions



Efficient pneumatic solutions, our program: cylinders and drives, valves and valve systems, air supply management



Visit us: [Emerson.com/Aventics](https://www.emerson.com/Aventics)

Your local contact: [Emerson.com/contactus](https://www.emerson.com/contactus)



Emerson.com



[Facebook.com/EmersonAutomationSolutions](https://www.facebook.com/EmersonAutomationSolutions)



[LinkedIn.com/company/Emerson-Automation-Solutions](https://www.linkedin.com/company/Emerson-Automation-Solutions)



[Twitter.com/EMR_Automation](https://twitter.com/EMR_Automation)

An example configuration is depicted on the title page. The delivered product may thus vary from that in the illustration. Subject to change. This Document, as well as the data, specifications and other information set forth in it, are the exclusive property of AVENTICS GmbH. It may not be reproduced or given to third parties without its consent. Only use the AVENTICS products shown in industrial applications. Read the product documentation completely and carefully before using the product. Observe the applicable regulations and laws of the respective country. When integrating the product into applications, note the system manufacturer's specifications for safe use of the product. The data specified only serve to describe the product. No statements concerning a certain condition or suitability for a certain application can be derived from our information. The information given does not release the user from the obligation of own judgment and verification. It must be remembered that the products are subject to a natural process of wear and aging.

The Emerson logo is a trademark and service mark of Emerson Electric Co. Brand logotype are registered trademarks of one of the Emerson family of companies. All other marks are the property of their respective owners. © 2017 Emerson Electric Co. All rights reserved.
2019-03



CONSIDER IT SOLVED™